



Installation instructions, accessories

Volvo Car Corporation Gothenburg, Sweden

Instruction No	Version	Part. No.
31650275	1.0	31650273

Parking assistance, camera, rear



Installation instructions, accessories

Volvo Car Corporation Gothenburg, Sweden

Special tools

	999 5919 PULLER (SEAL-PINION,CAM-CRANKSHAFT)B200-6304 Tool number:999 5919 Tool description:PULLER (SEAL-PINION,CAM-CRANKSHAFT)B200-6304 Tool boards:46
	981 4199 Torque wrench Tool number:981 4199 Tool description:Torque wrench Tool boards:08
	951 2932 Tension spring Tool number:951 2932 Tool description:Tension spring Tool boards:80
	951 2620 Stripping tool (for wiring) Tool number:951 2620 Tool description:Stripping tool (for wiring) Tool boards:39
	951 2785 Crimping tool (included in 9512669) Tool number:951 2785 Tool description:Crimping tool (included in 9512669) Tool boards:39
	951 2777 Hot-air gun Tool number:951 2777 Tool description:Hot-air gun Tool boards:08

Materials

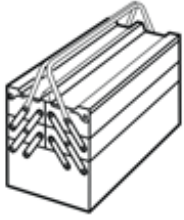
Designation	Part number
Electrical tape	

Equipment



Installation instructions, accessories

Volvo Car Corporation Gothenburg, Sweden

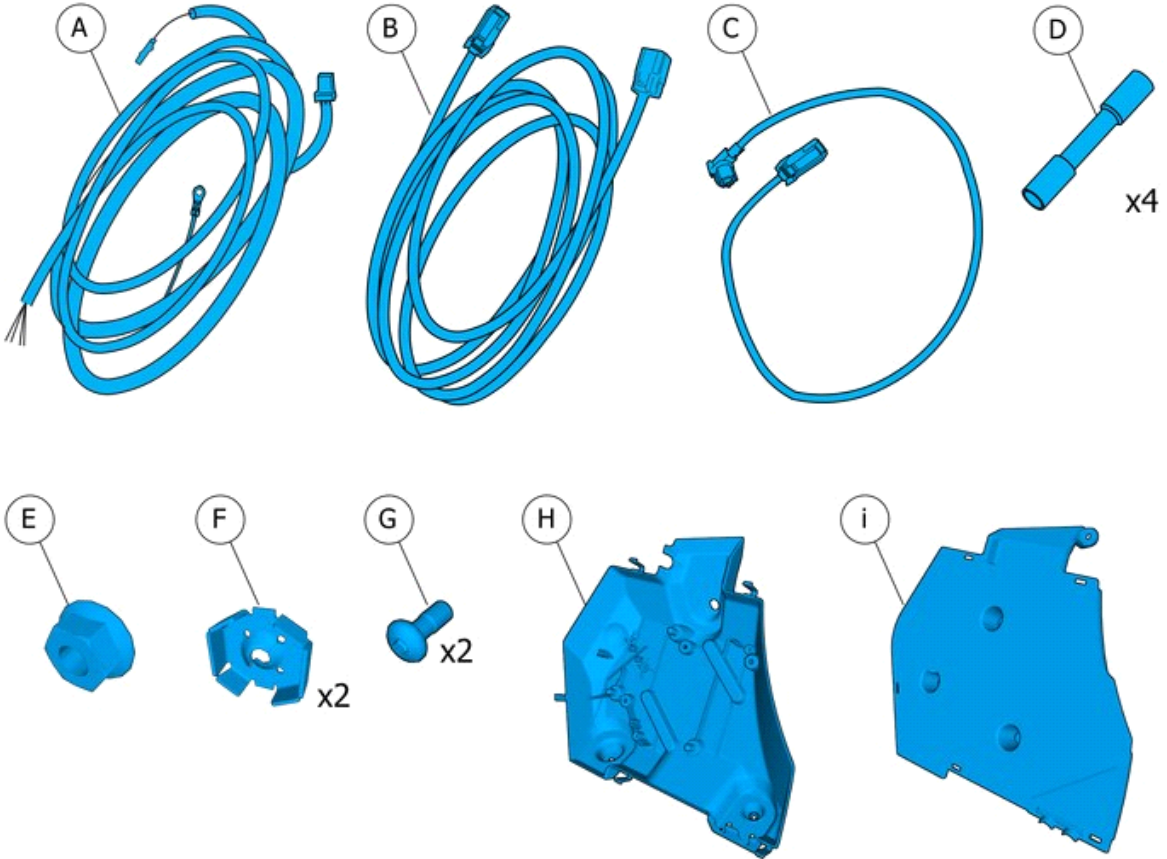


A0000162



IMG-239664

Nm
lbf.ft

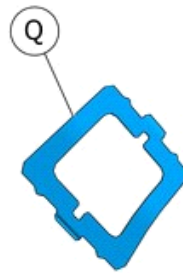
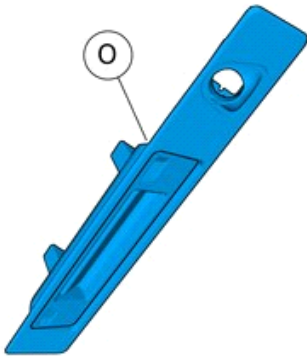
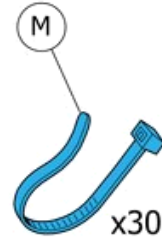
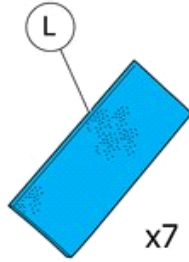
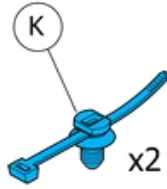
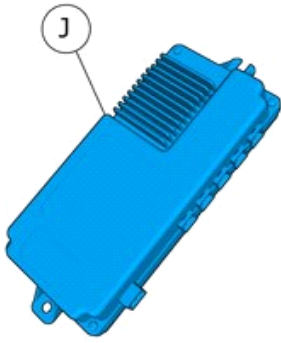


IMG-402876



Installation instructions, accessories

Volvo Car Corporation Gothenburg, Sweden



IMG-421795



Installation instructions, accessories

Volvo Car Corporation Gothenburg, Sweden

Information

1

Read through all of the instructions before starting installation.

Notifications and warning texts are for your safety and to minimise the risk of something breaking during installation.

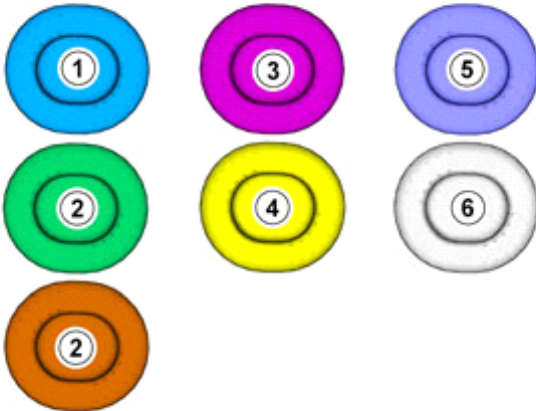
Ensure that all tools stated in the instructions are available before starting installation.

Certain steps in the instructions are only presented in the form of images. Explanatory text is also given for more complicated steps.

In the event of any problems with the instructions or the accessory, contact your local Volvo dealer.

Color symbols

2



IMG-363036

Note!

This colour chart displays (in colour print and electronic version) the importance of the different colours used in the images of the method steps.

- Used for focused component, the component with which you will do something.
- Used as extra colors when you need to show or differentiate additional parts.
- Used for attachments that are to be removed/installed. May be screws, clips, connectors, etc.
- Used when the component is not fully removed from the vehicle but only hung to the side.
- Used for standard tools and special tools.
- Used as background color for vehicle components.



Installation instructions, accessories

Volvo Car Corporation Gothenburg, Sweden

3



IMG-394535

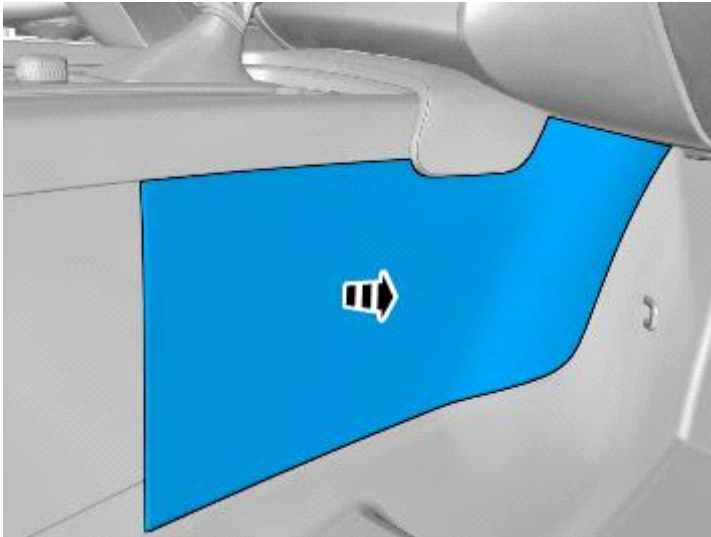
Removal

4

Note!

The removal steps may contain installation details.

5



IMG-383729

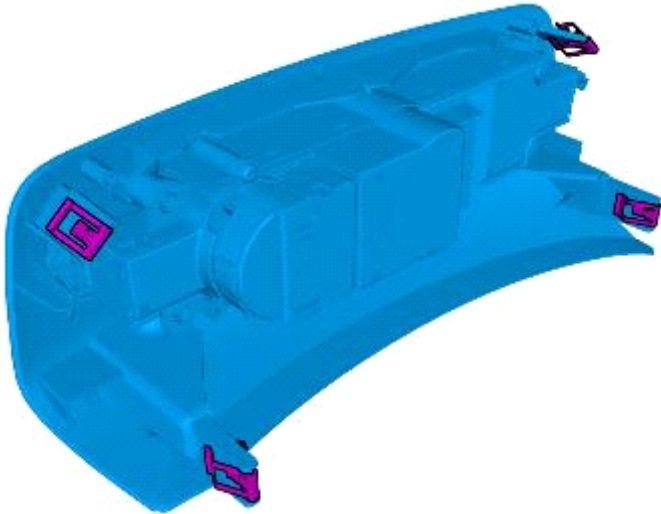
Remove the panel.



Installation instructions, accessories

Volvo Car Corporation Gothenburg, Sweden

6

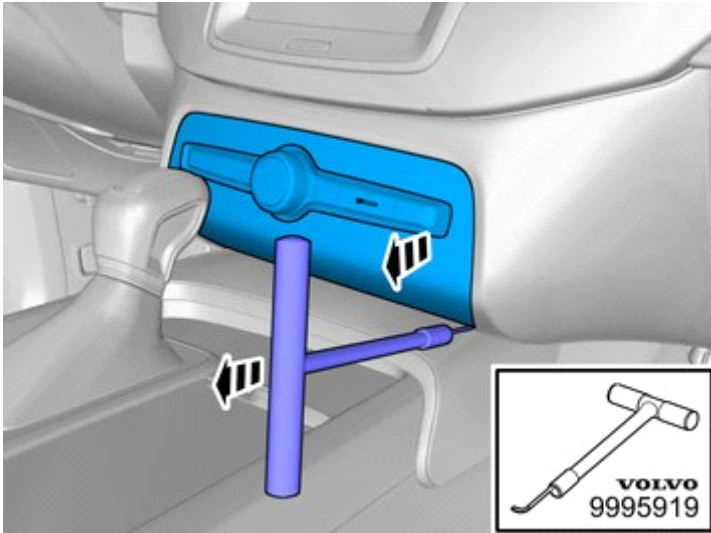


IMG-383769

Note!

The graphic shows the back of the component before removal.

7



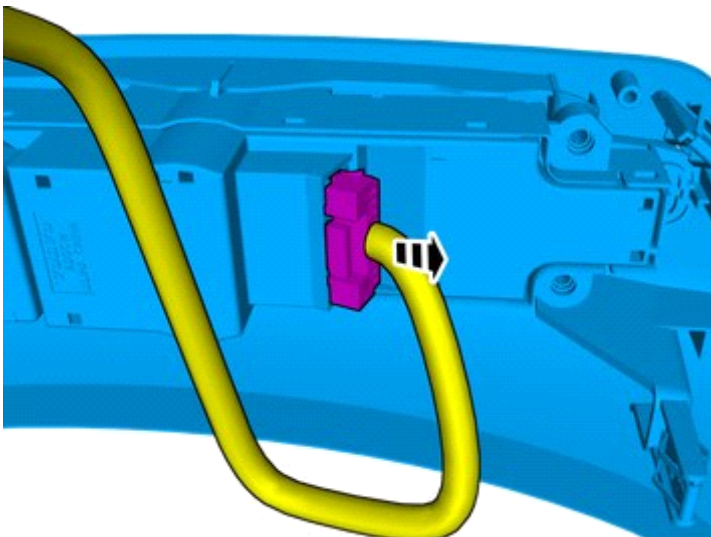
IMG-389246

Note!

Perform the procedure one side at a time.

Use special tool: T9995919, PULLER (SEAL-PINION,CAM-CRANKSHAFT)B200-6304

8



IMG-383770

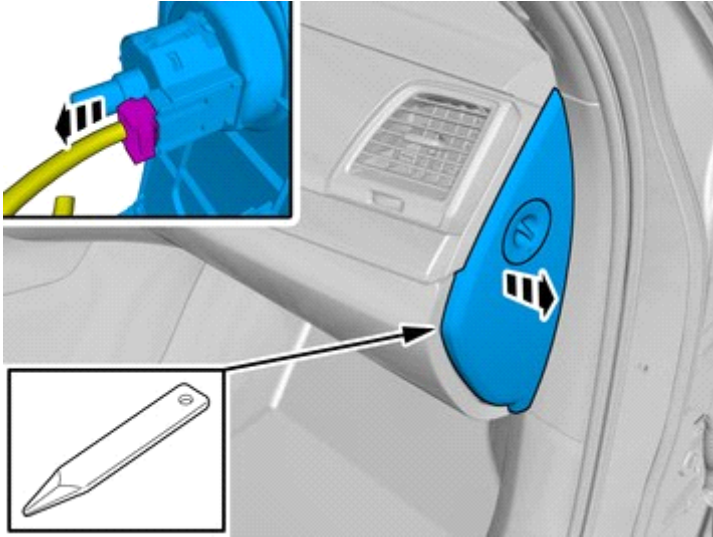
Disconnect the connector.



Installation instructions, accessories

Volvo Car Corporation Gothenburg, Sweden

9

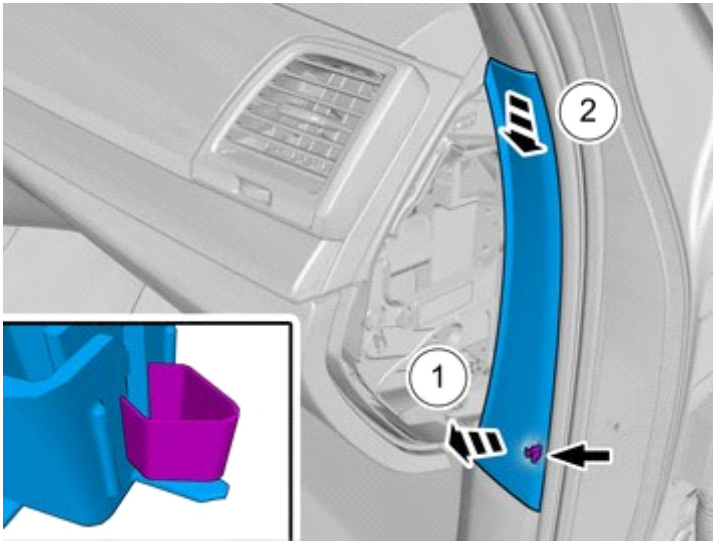


IMG-390109

Remove the panel.

Disconnect the connector, if applicable.

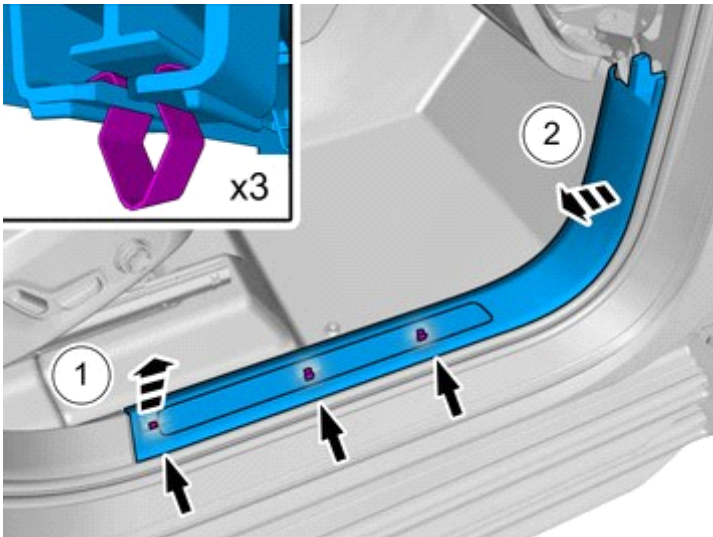
10



IMG-390116

Remove the panel.

11



IMG-390106

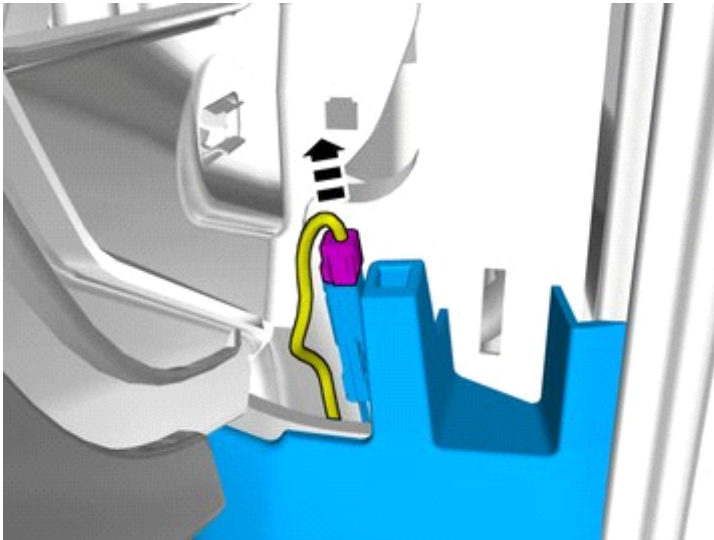
Remove the panel.



Installation instructions, accessories

Volvo Car Corporation Gothenburg, Sweden

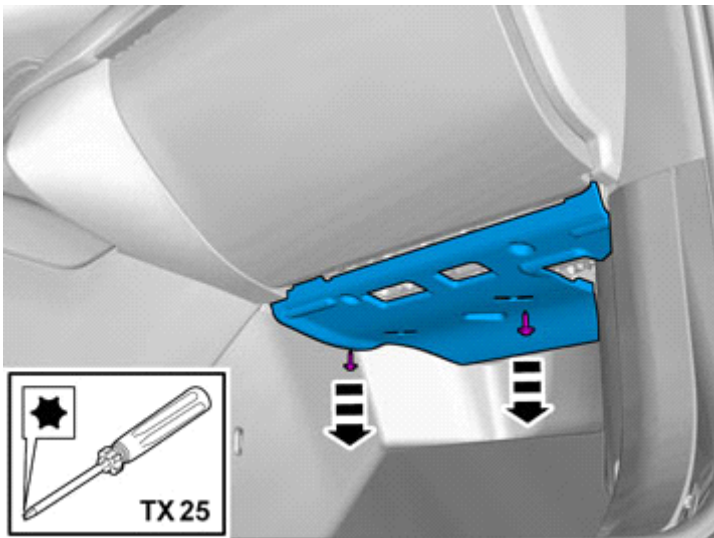
12



IMG-390091

Disconnect the connector, if applicable.

13



IMG-383237

Remove the screws.

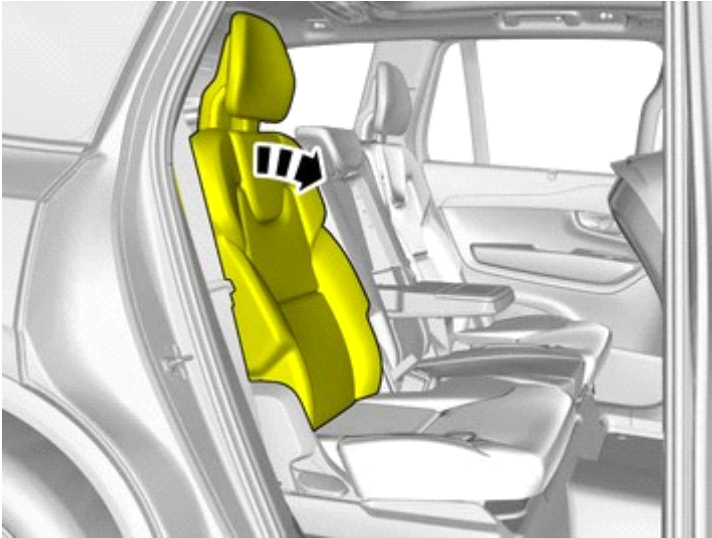
Remove the panel.



Installation instructions, accessories

Volvo Car Corporation Gothenburg, Sweden

14



IMG-397295

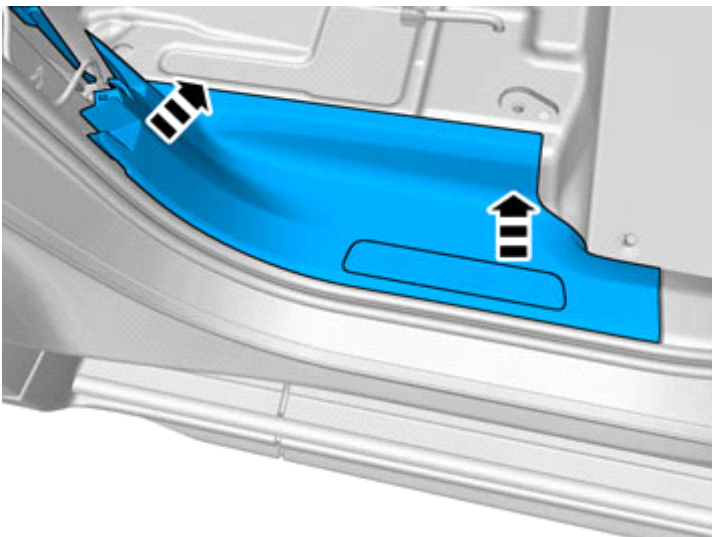
15



IMG-383125

Remove the panel.

16



IMG-383234

Remove the panel.

Disconnect the connector, if applicable.



Installation instructions, accessories

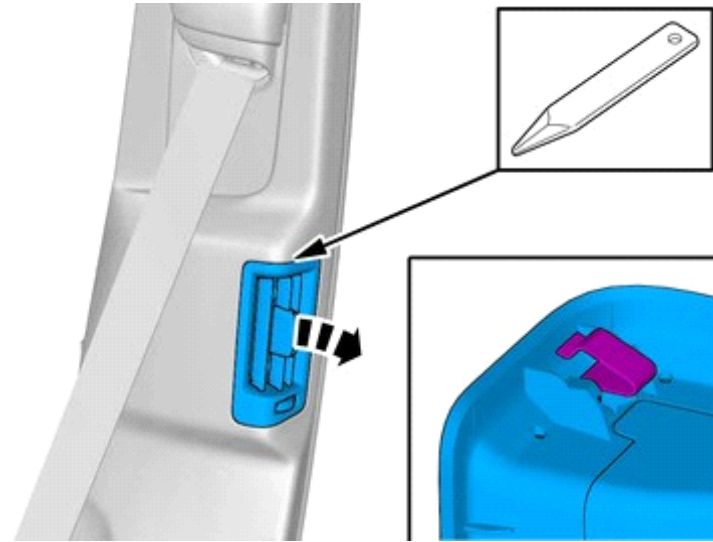
Volvo Car Corporation Gothenburg, Sweden

17



IMG-397220

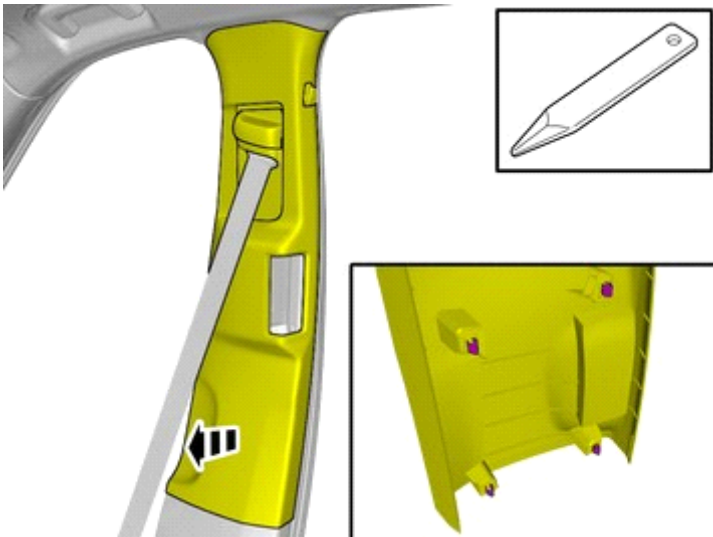
18



IMG-397280

Remove the marked part.

19



IMG-397244

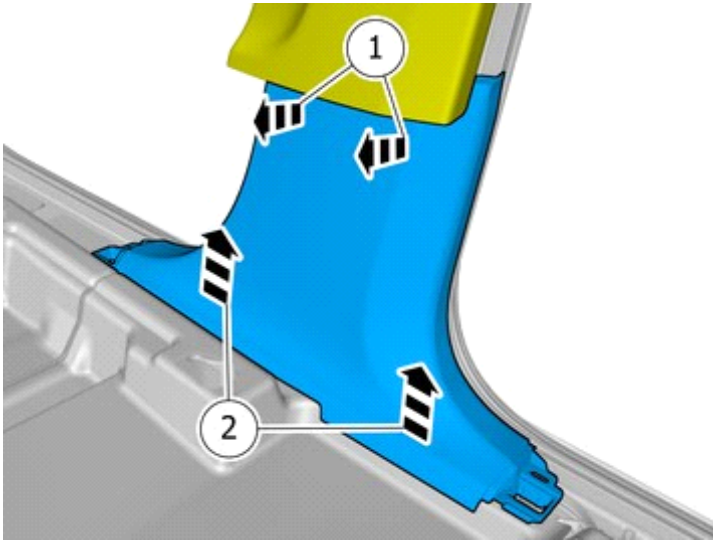
Detach the panel.



Installation instructions, accessories

Volvo Car Corporation Gothenburg, Sweden

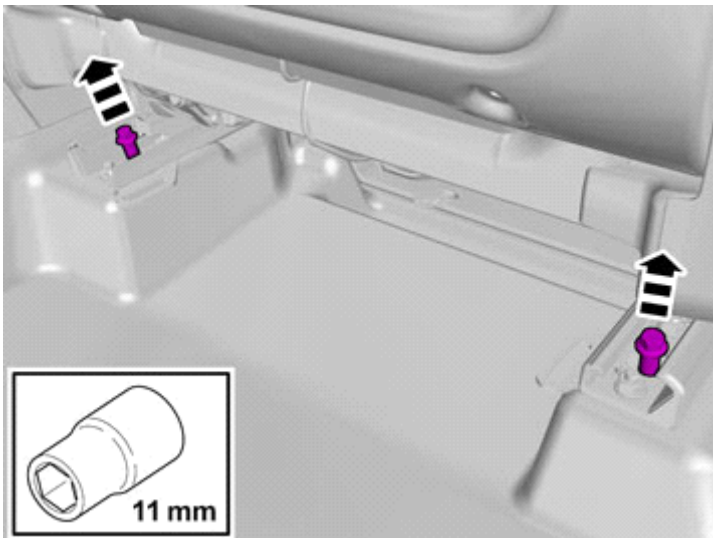
20



IMG-397247

Remove the panel.

21



IMG-383130

Remove the screws.



Installation instructions, accessories

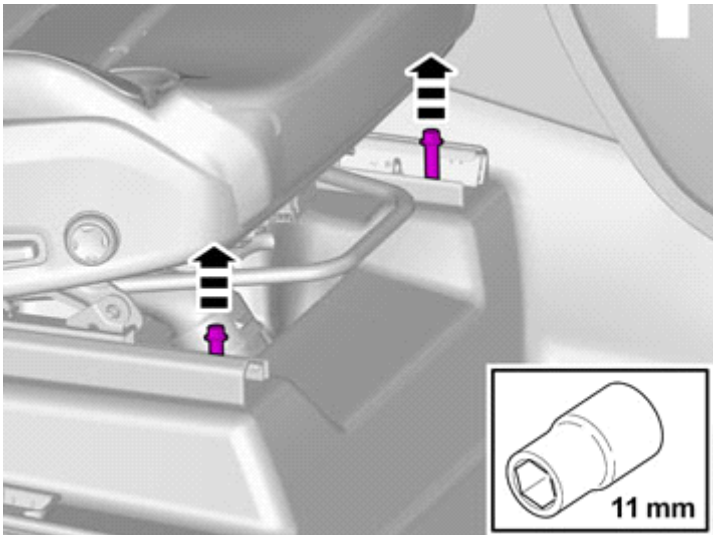
Volvo Car Corporation Gothenburg, Sweden

22



IMG-397249

23



IMG-383129

Remove the screws.

24



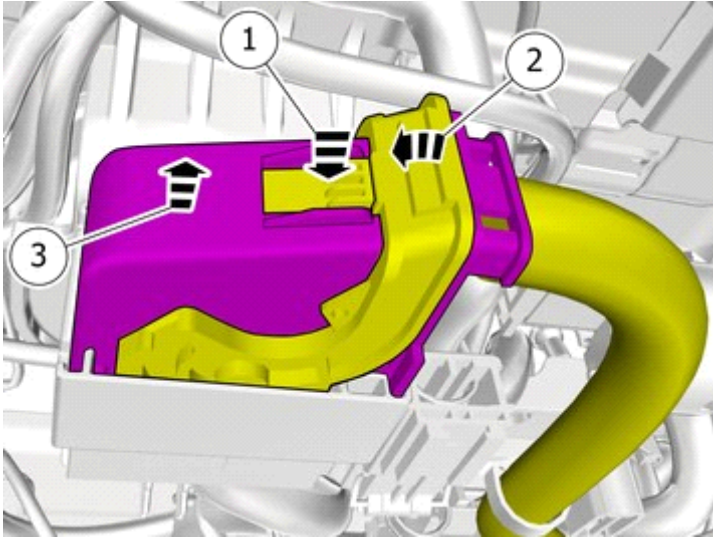
IMG-383134



Installation instructions, accessories

Volvo Car Corporation Gothenburg, Sweden

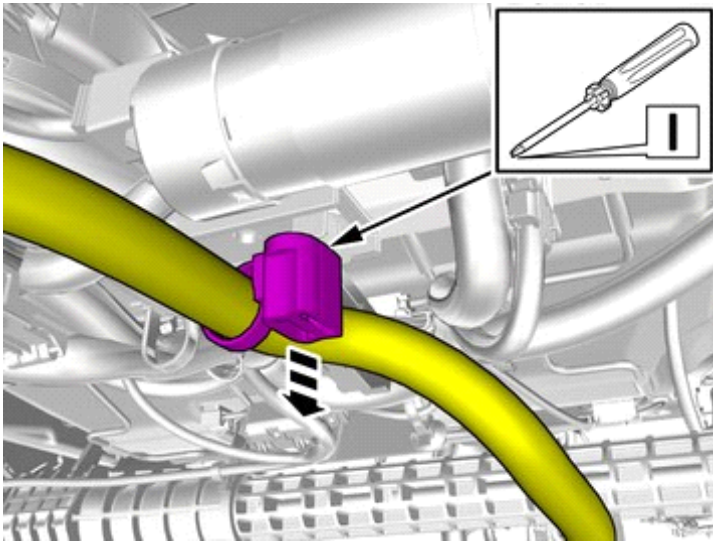
25



IMG-396605

Disconnect the connector.

26



IMG-396606

Unhook the cable harness clips.

27



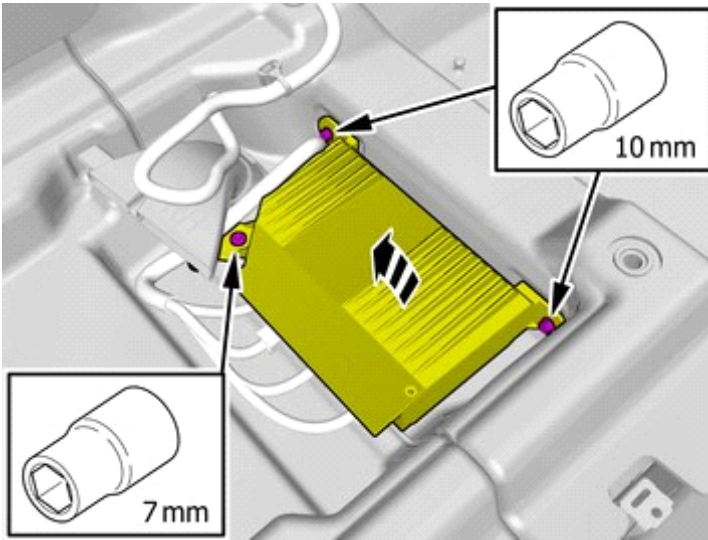
IMG-397252



Installation instructions, accessories

Volvo Car Corporation Gothenburg, Sweden

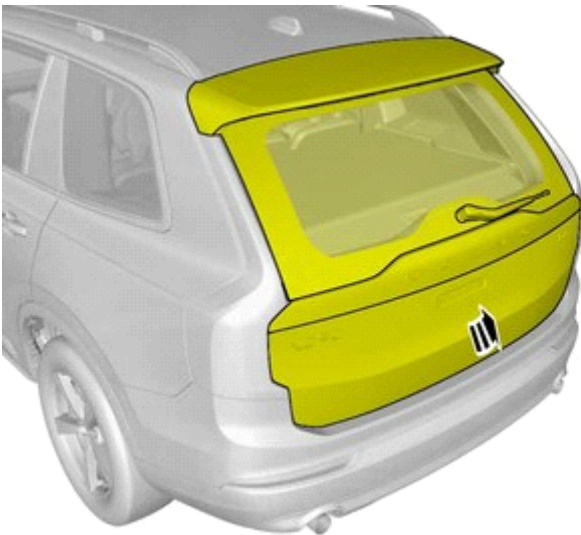
28



Remove the screws.

Fold marked part to one side.

29

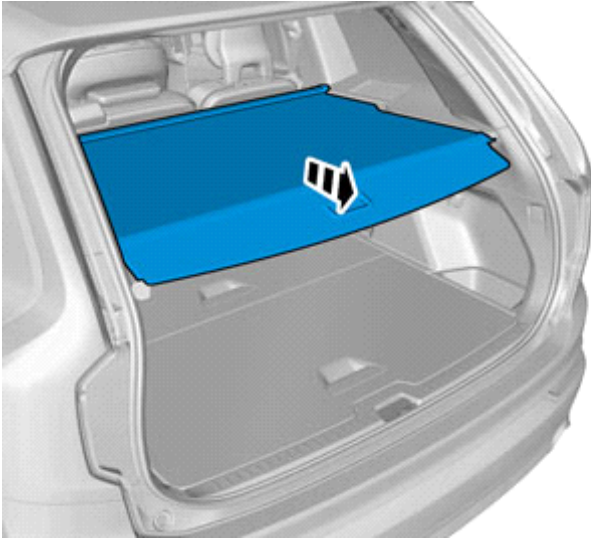




Installation instructions, accessories

Volvo Car Corporation Gothenburg, Sweden

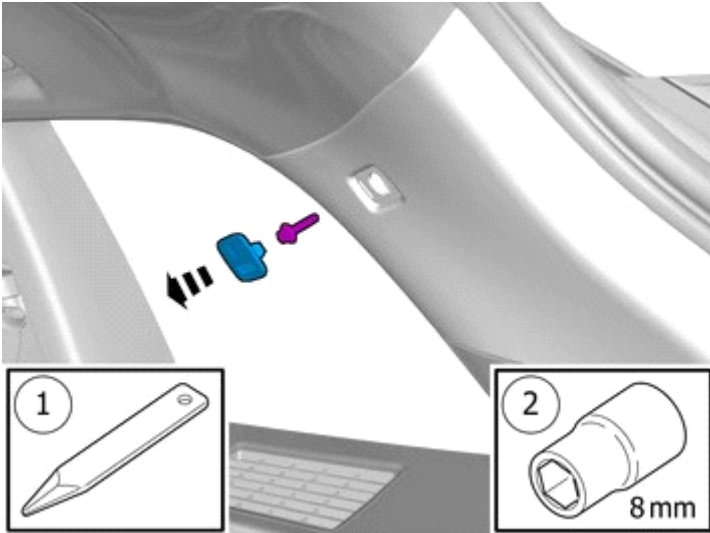
30



IMG-383039

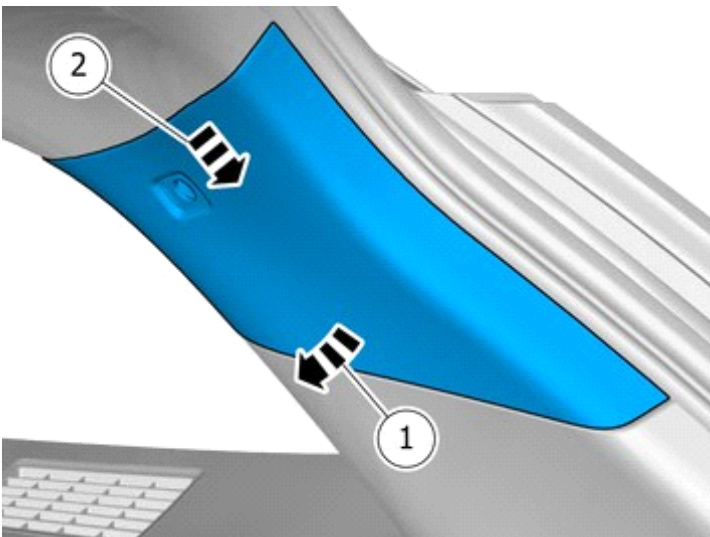
Remove the marked part.

31



IMG-383043

32



IMG-383044

Remove the panel.

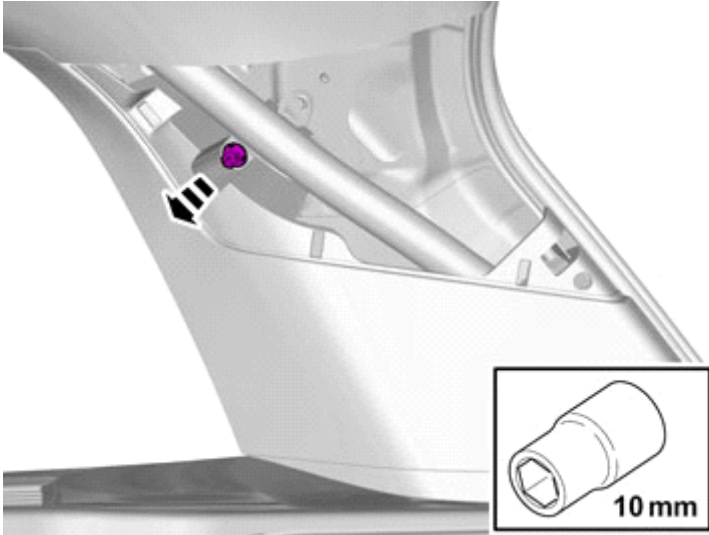
Check that the fasteners are undamaged before installation. If not, they must be replaced with new ones.



Installation instructions, accessories

Volvo Car Corporation Gothenburg, Sweden

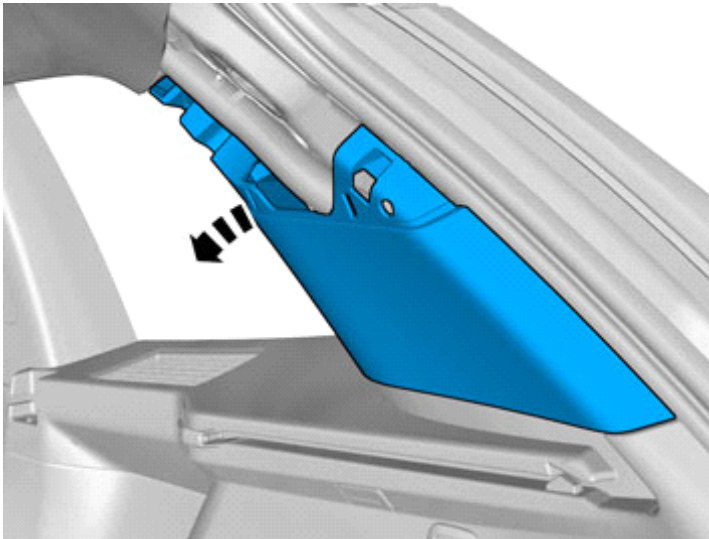
33



IMG-383045

Remove the nut.

34



IMG-383046

Remove the panel.

35



IMG-383040

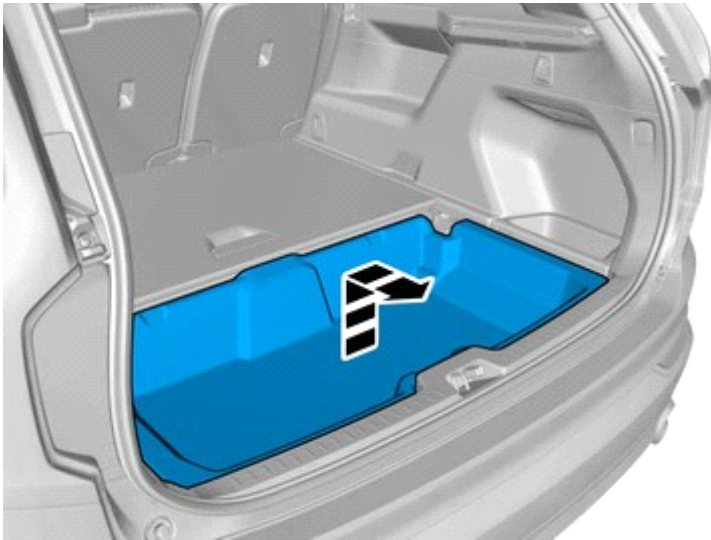
Remove the marked part.



Installation instructions, accessories

Volvo Car Corporation Gothenburg, Sweden

36

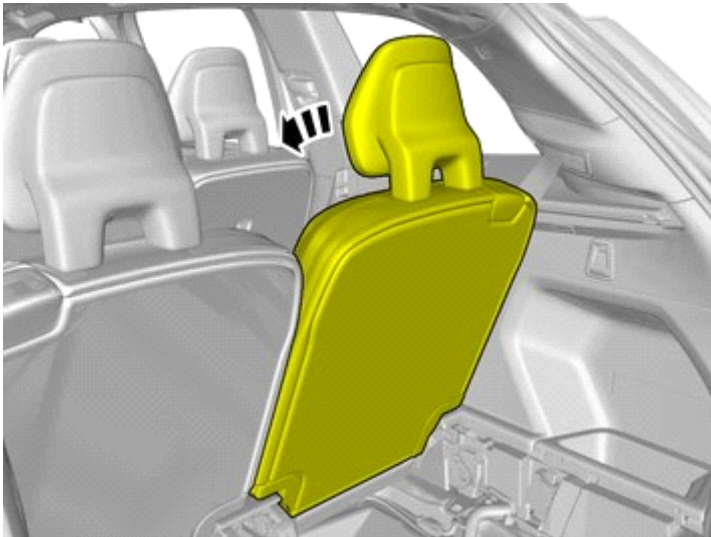


IMG-394727

Remove the marked part.

Vehicles with seven seats

37



IMG-401374

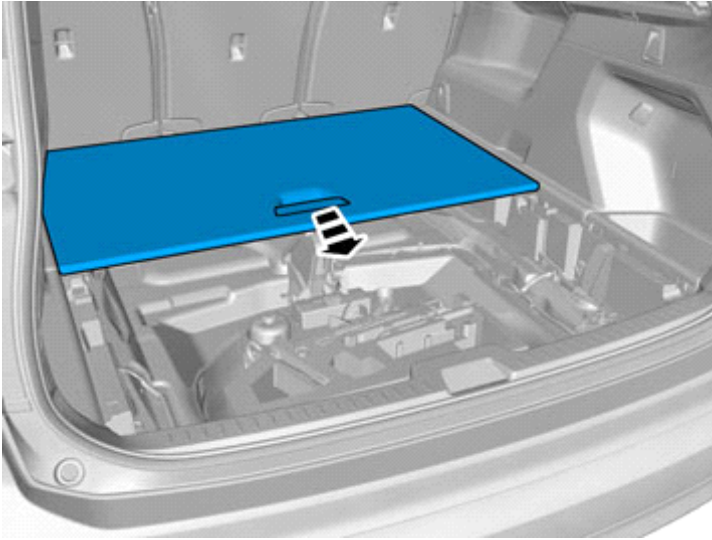
Applies to all other vehicles



Installation instructions, accessories

Volvo Car Corporation Gothenburg, Sweden

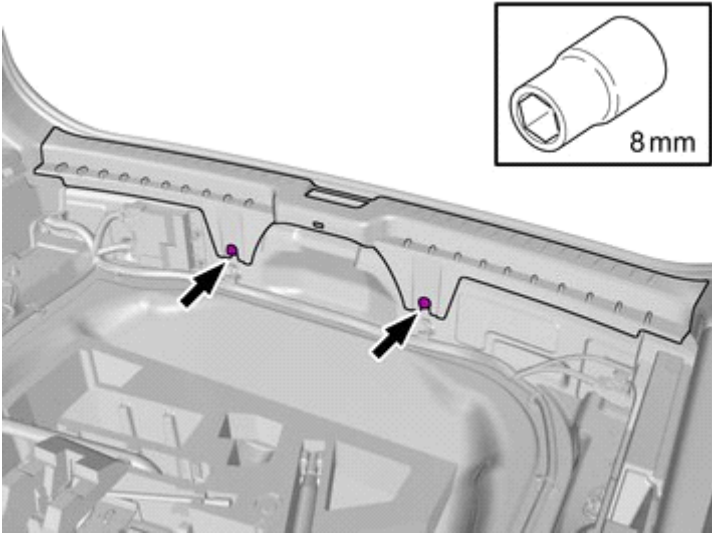
38



IMG-383042

Remove the marked part.

39

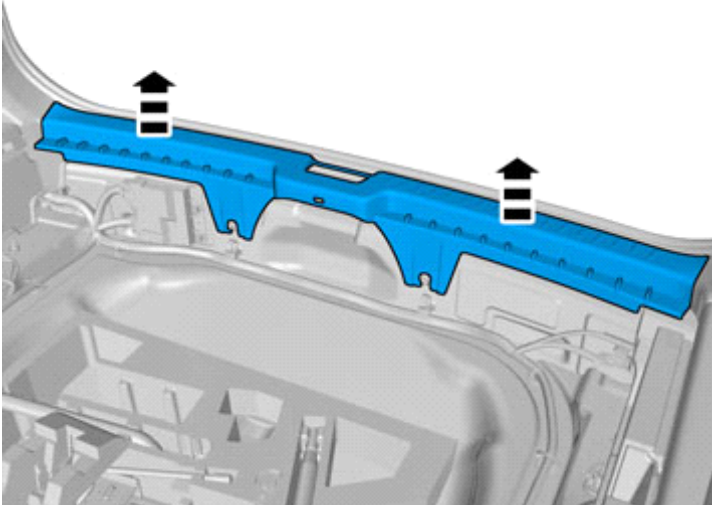


IMG-383047

Note!

Do not loosen the bolts more than 2 turns.

40



IMG-383048

Remove the panel.

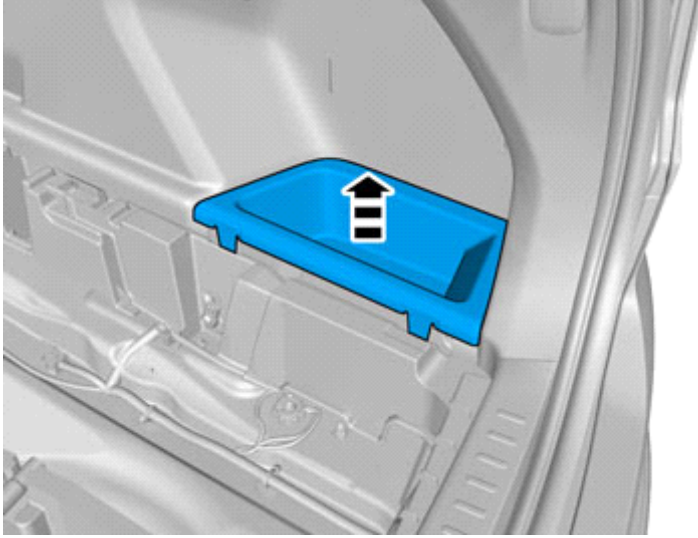
Check that the fasteners are undamaged before installation. If not, they must be replaced with new ones.



Installation instructions, accessories

Volvo Car Corporation Gothenburg, Sweden

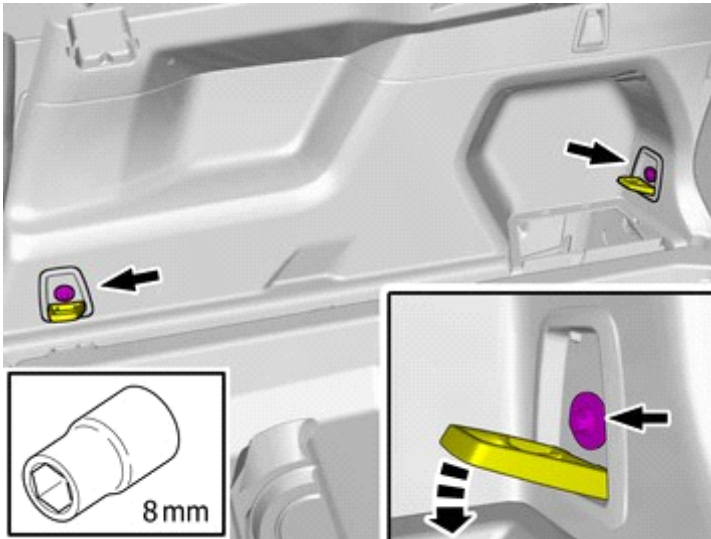
41



IMG-383066

Remove the marked part.

42

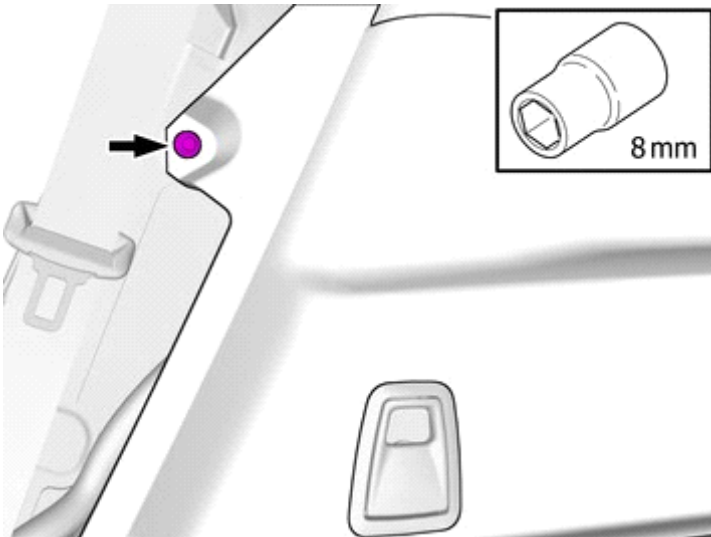


IMG-393945

Remove the screws.

Tightening torque: Cargo anchor, to body , 13 Nm

43



IMG-396625

Remove the screw.

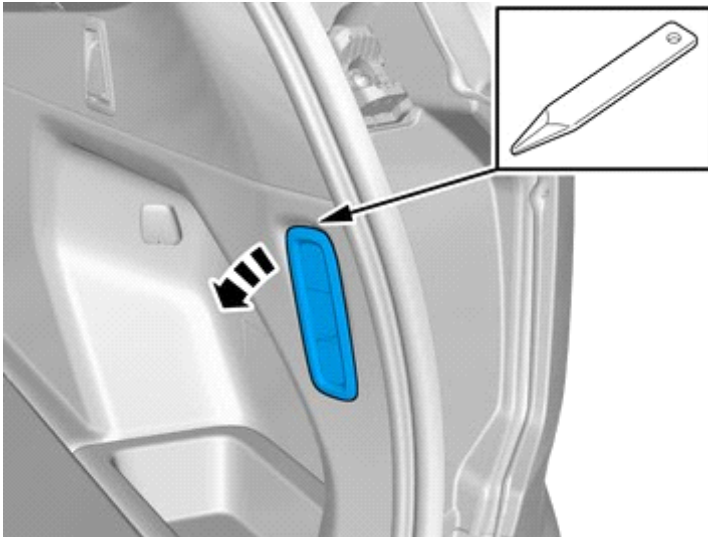


Installation instructions, accessories

Volvo Car Corporation Gothenburg, Sweden

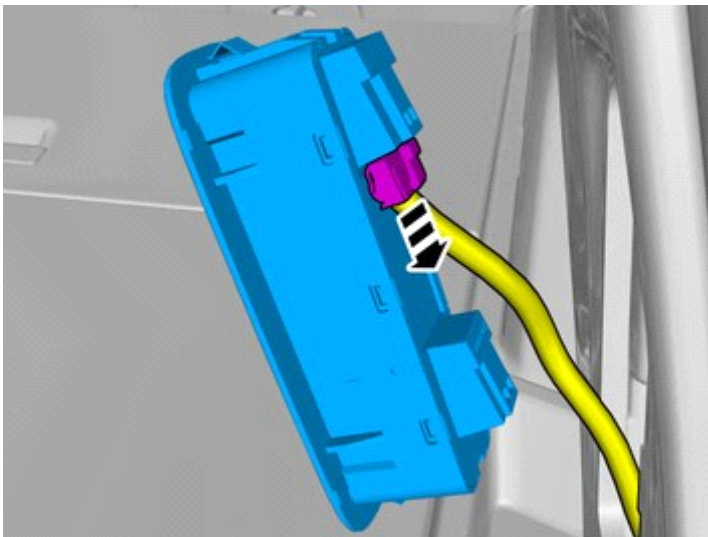
Vehicles with air suspension

44



IMG-398660

45



IMG-398661

Disconnect the connector.

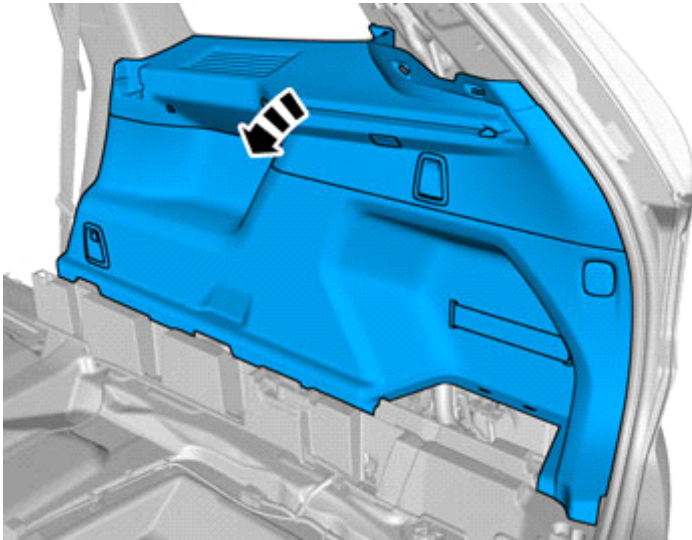
All vehicles



Installation instructions, accessories

Volvo Car Corporation Gothenburg, Sweden

46

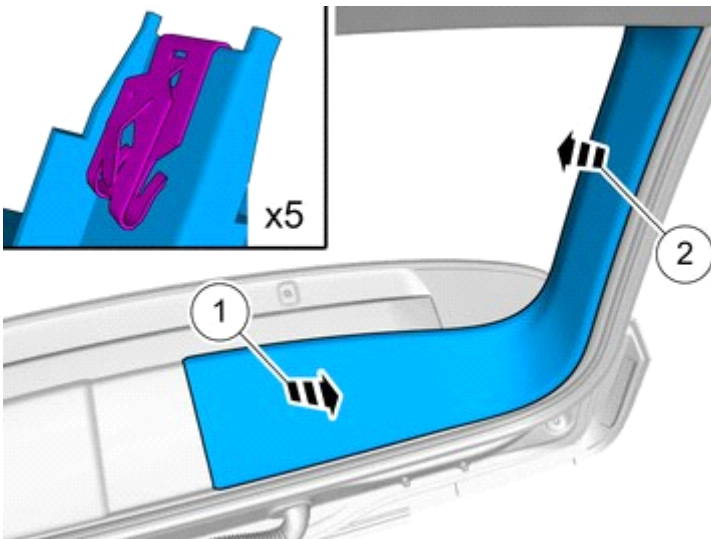


IMG-383049

Remove the panel.

Disconnect any connector(s).

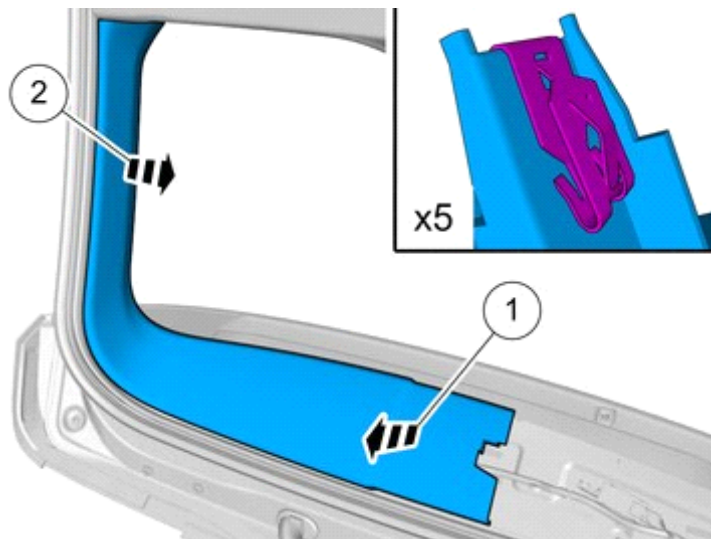
47



IMG-387863

Remove the panel.

48



IMG-387864

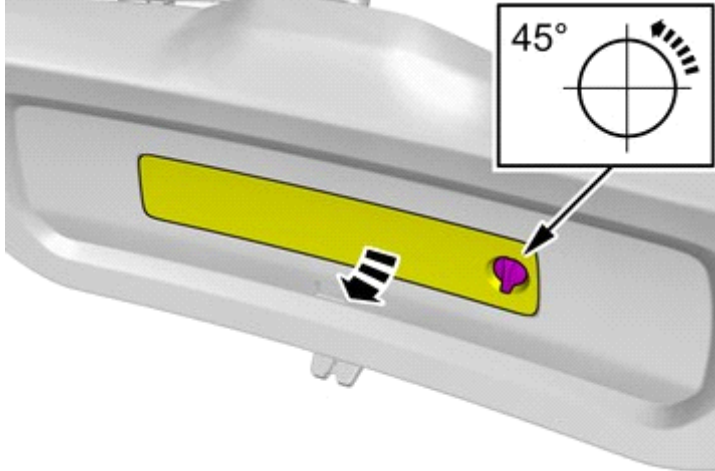
Remove the panel.



Installation instructions, accessories

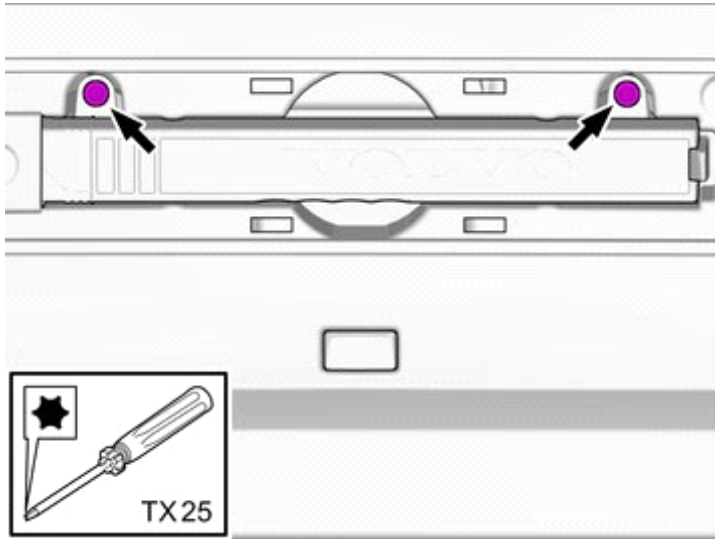
Volvo Car Corporation Gothenburg, Sweden

49



IMG-387860

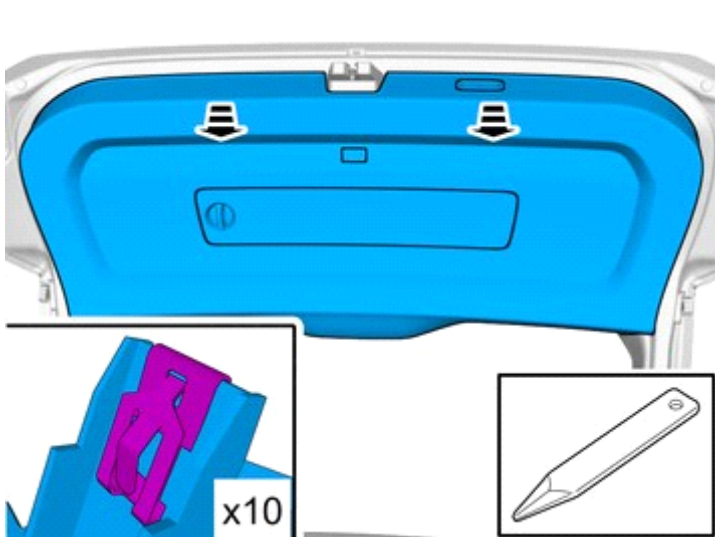
50



IMG-387861

Remove the screws.

51



IMG-387869

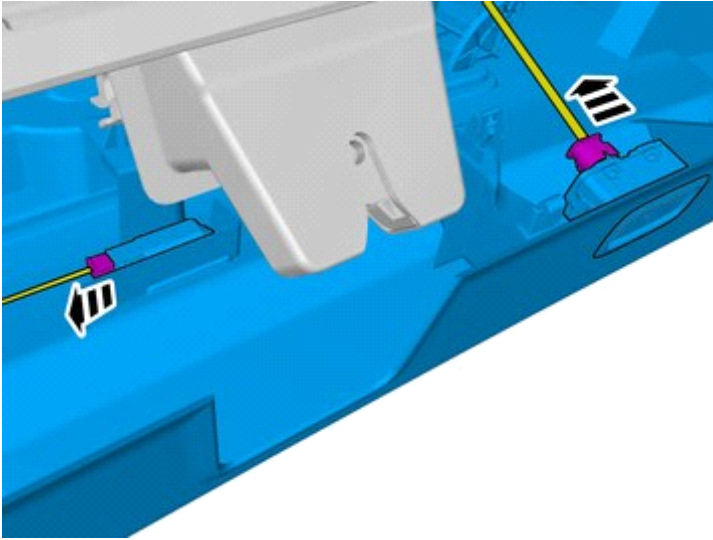
Detach the panel.



Installation instructions, accessories

Volvo Car Corporation Gothenburg, Sweden

52

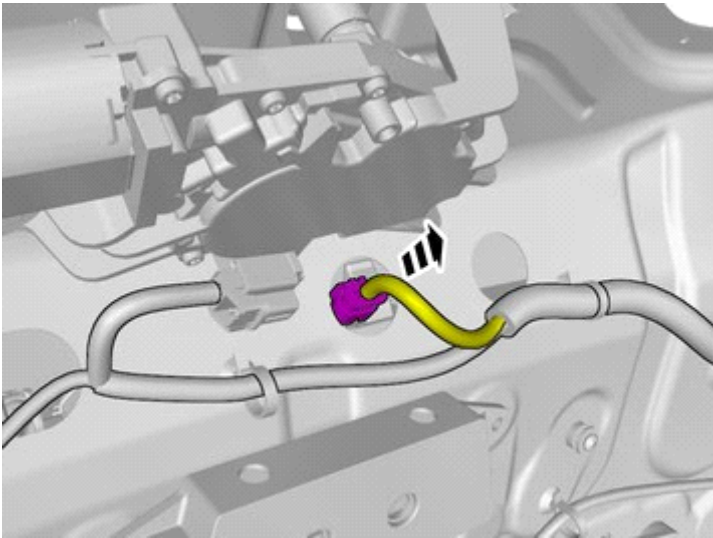


IMG-387873

Disconnect the connectors.

Remove the panel.

53



IMG-387888

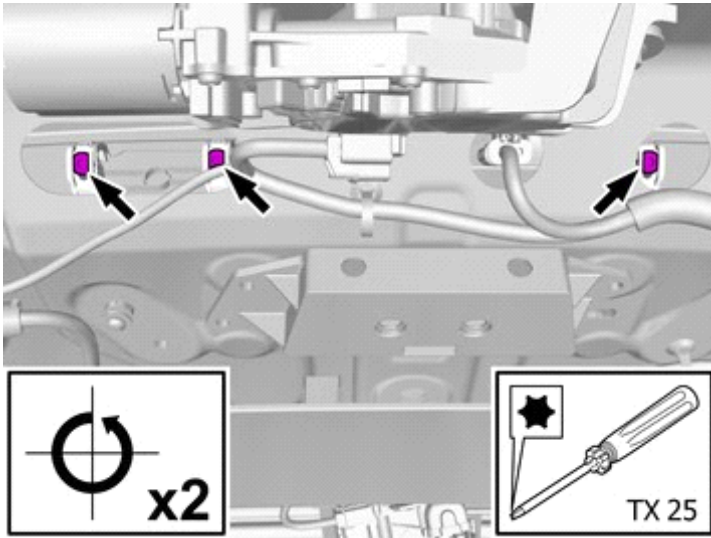
Disconnect the connector.



Installation instructions, accessories

Volvo Car Corporation Gothenburg, Sweden

54

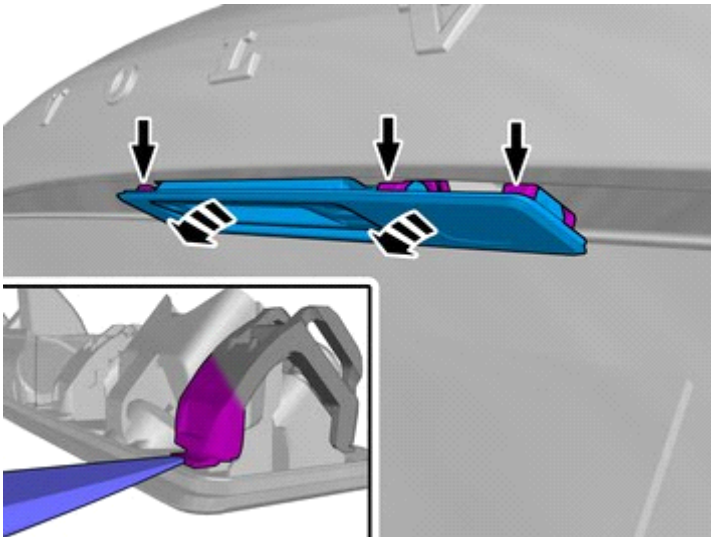


IMG-387889

Remove the screws.

Loosen the exact number of turns indicated in the image.

55



IMG-396590

Use: Interior trim remover

The part is not to be reused.

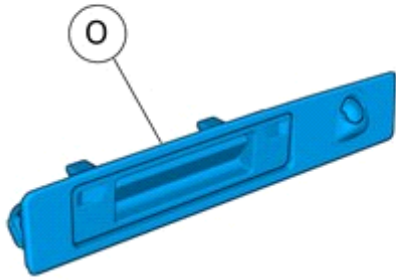
Accessory installation



Installation instructions, accessories

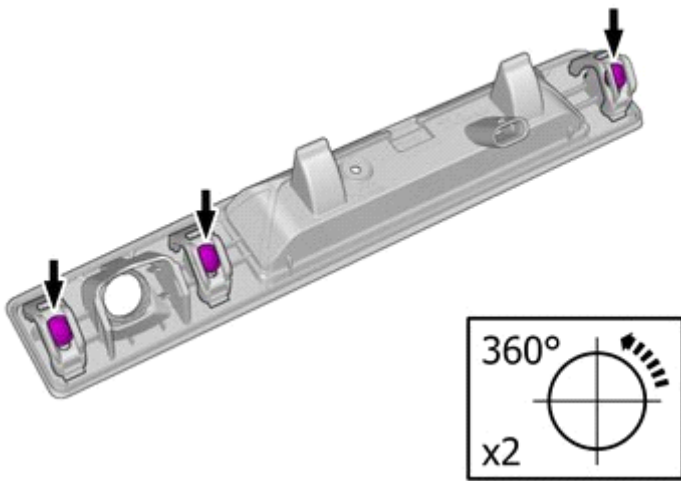
Volvo Car Corporation Gothenburg, Sweden

56



IMG-421569

57

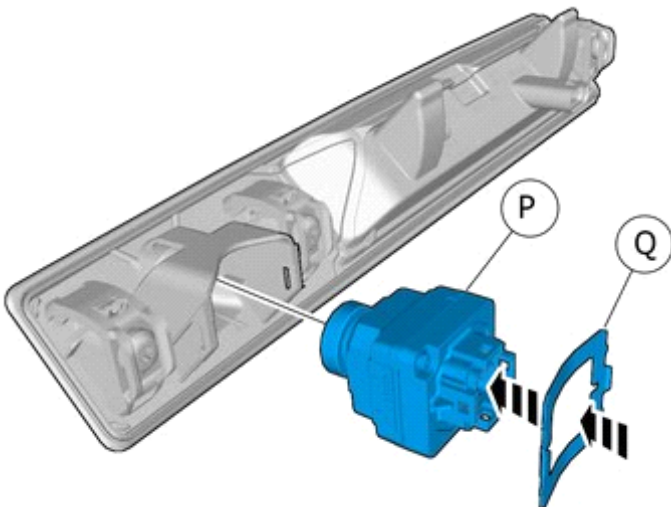


IMG-421775

Remove the screws.

Loosen the exact number of turns indicated in the image.

58



IMG-421796

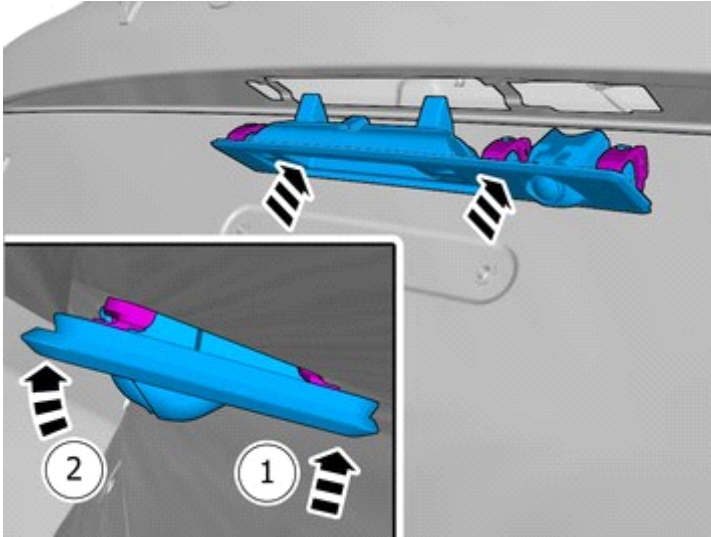
Install component that comes with the accessory kit.



Installation instructions, accessories

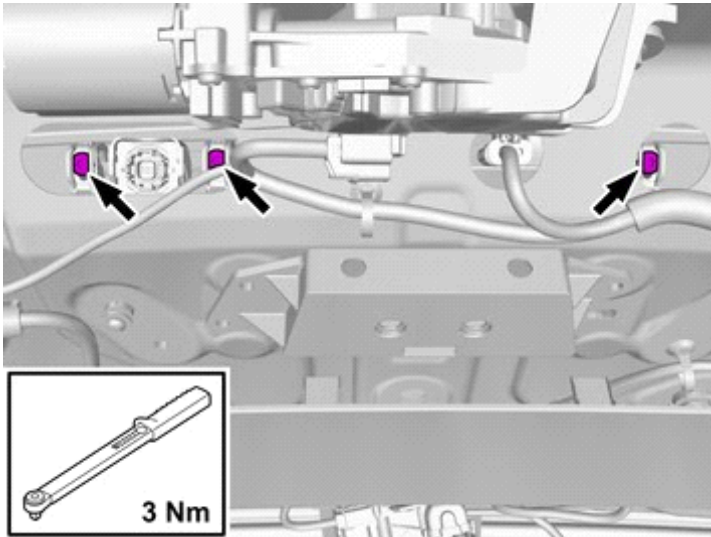
Volvo Car Corporation Gothenburg, Sweden

59



IMG-388004

60

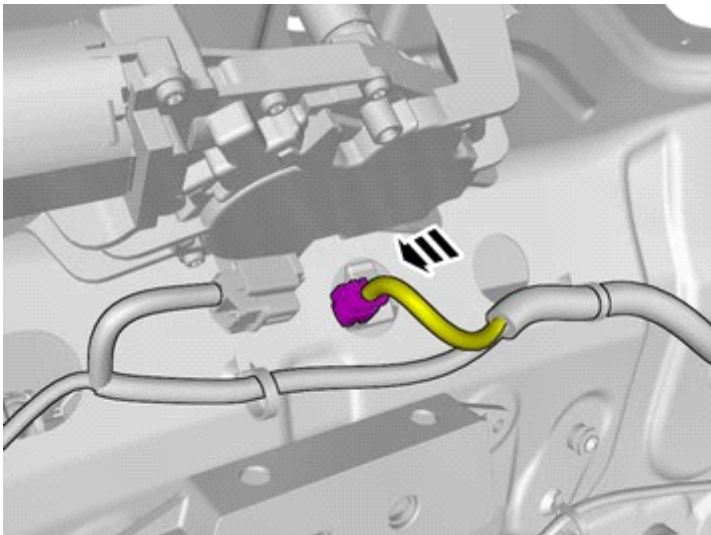


IMG-388007

Tighten the bolts.

Use special tool: T9814199, Torque wrench

61



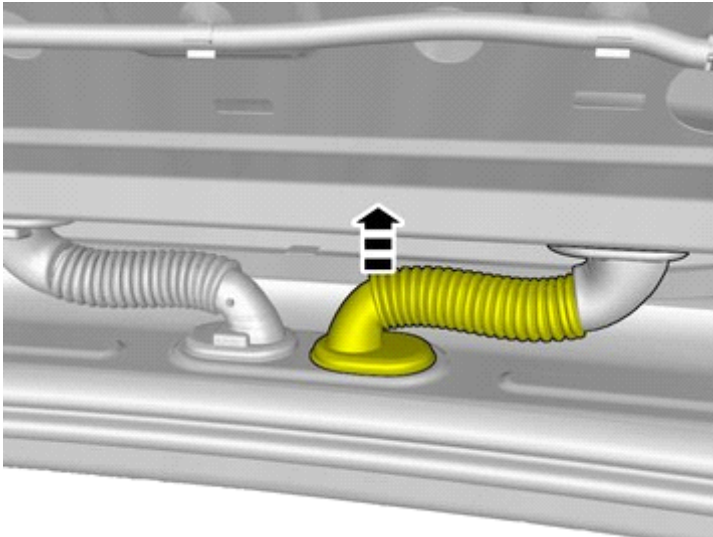
IMG-387996

Connect the connector.



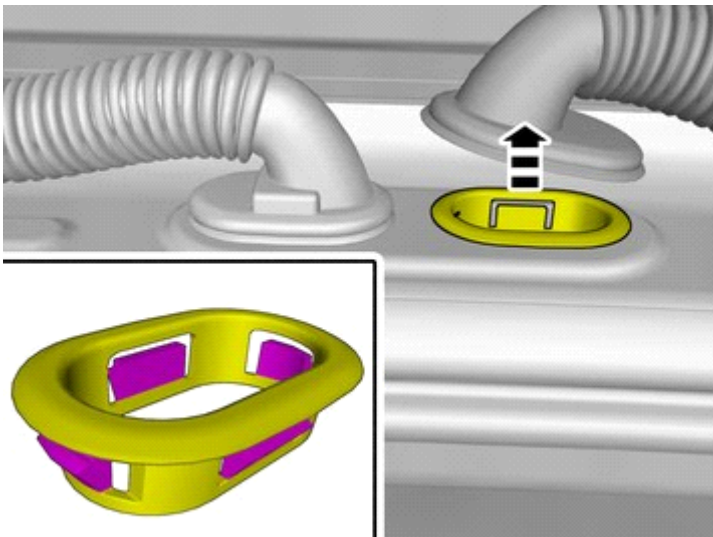
Removal

62



IMG-388058

63



Release the catches.

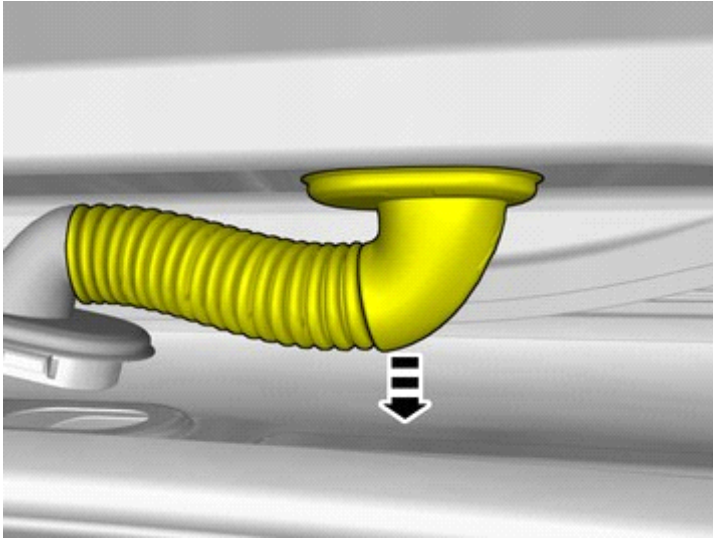
IMG-401380



Installation instructions, accessories

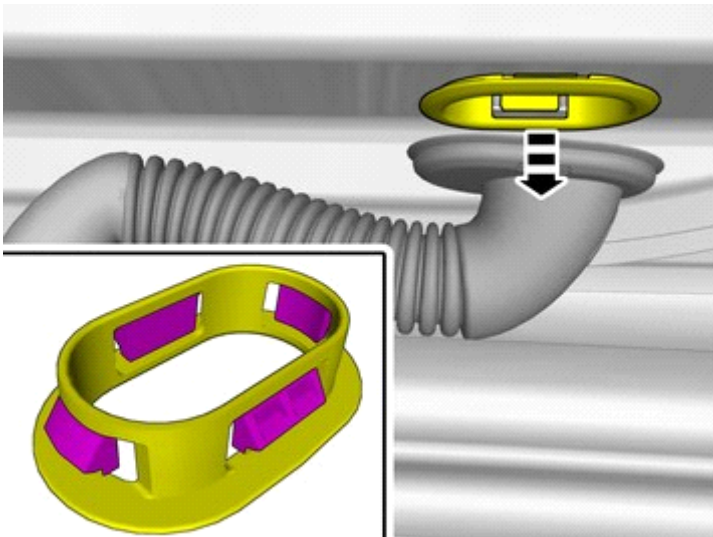
Volvo Car Corporation Gothenburg, Sweden

64



IMG-388072

65



IMG-401393

Release the catches.

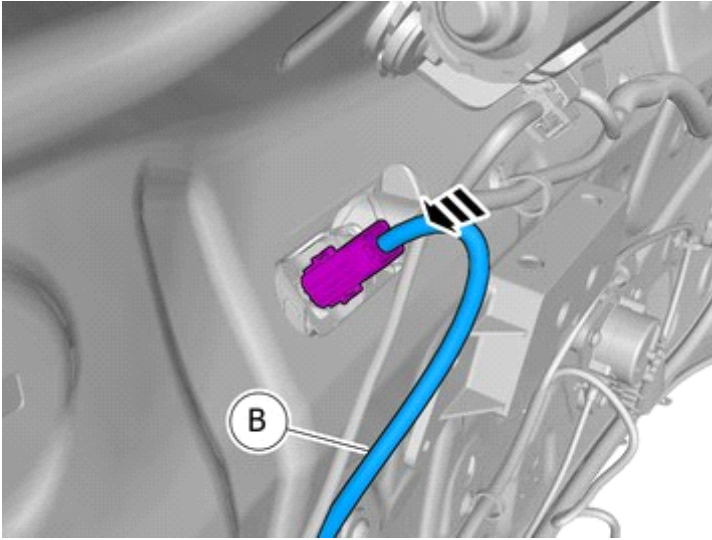
Accessory installation



Installation instructions, accessories

Volvo Car Corporation Gothenburg, Sweden

66

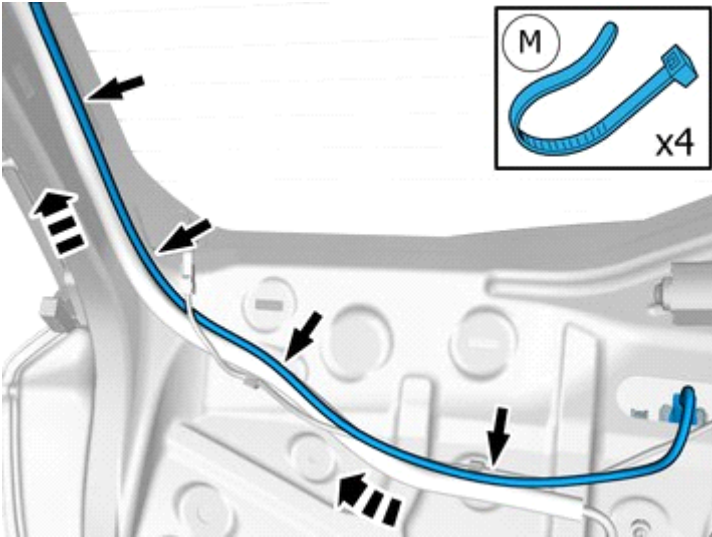


IMG-387997

Install component that comes with the accessory kit.

Connect the connector.

67



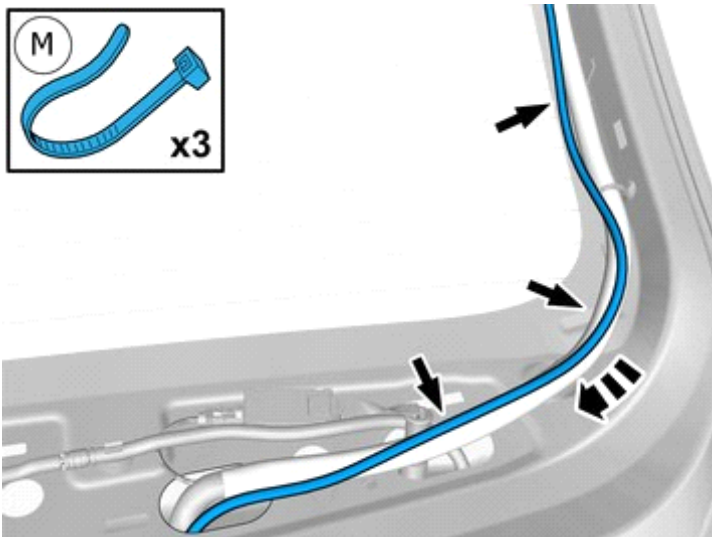
IMG-397365

Route the wire adjacent to existing wirings.

Install the cable.

Use a cable tie

68



IMG-397367

Route the wire adjacent to existing wirings.

Install the cable.

Use a cable tie

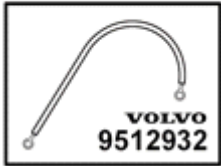
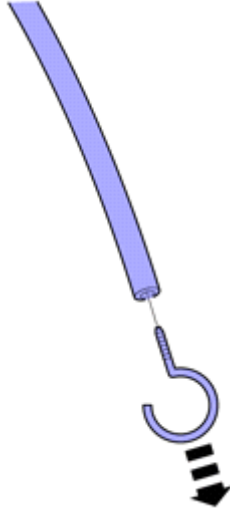


Installation instructions, accessories

Volvo Car Corporation Gothenburg, Sweden

69

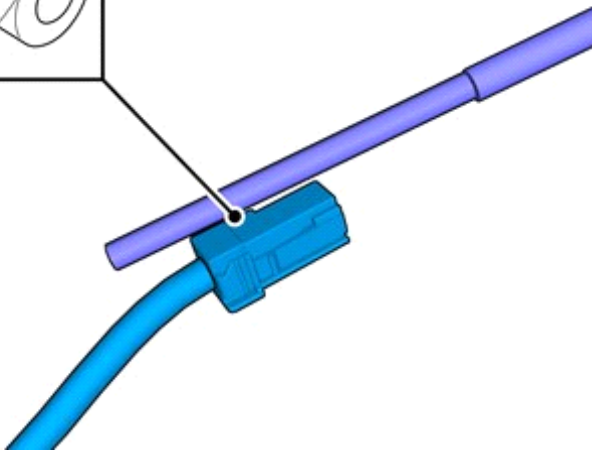
Use special tool: T9512932, Tension spring



IMG-382372

70

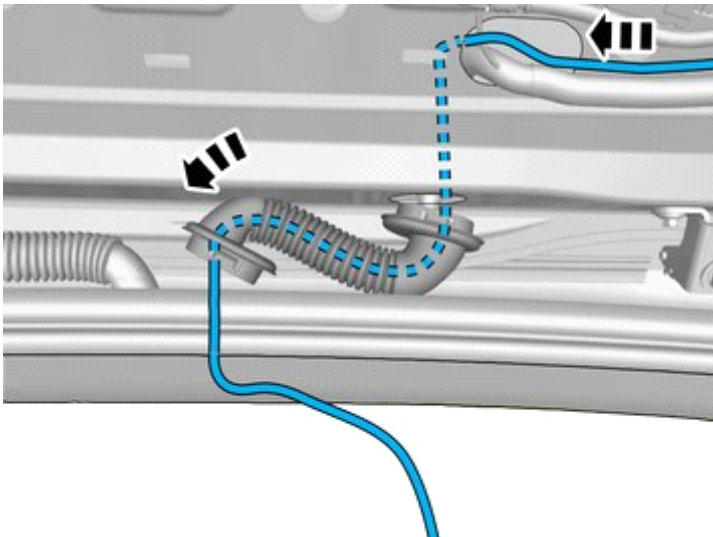
Use: , Electrical tape



IMG-397348

71

Pull the wiring through.



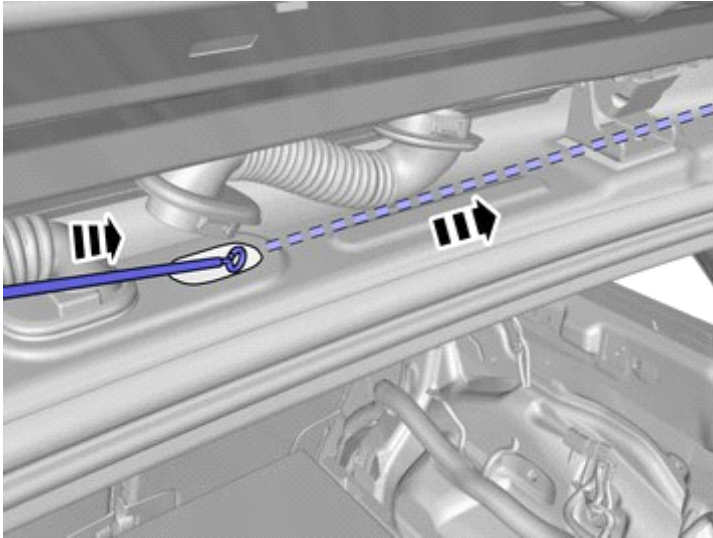
IMG-404726



Installation instructions, accessories

Volvo Car Corporation Gothenburg, Sweden

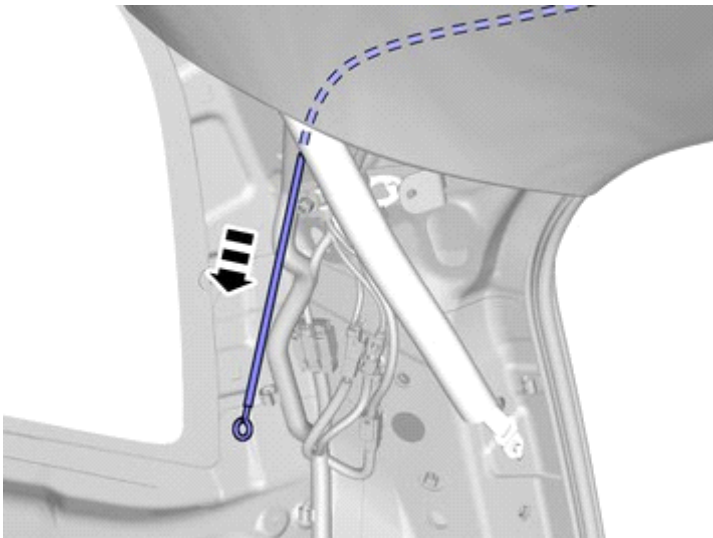
72



IMG-404760

Pull the wiring through.

73



IMG-404772

Caution!

The wire must be routed behind the inflatable curtain.

Pull the wiring through.

Remove the Special Tool.

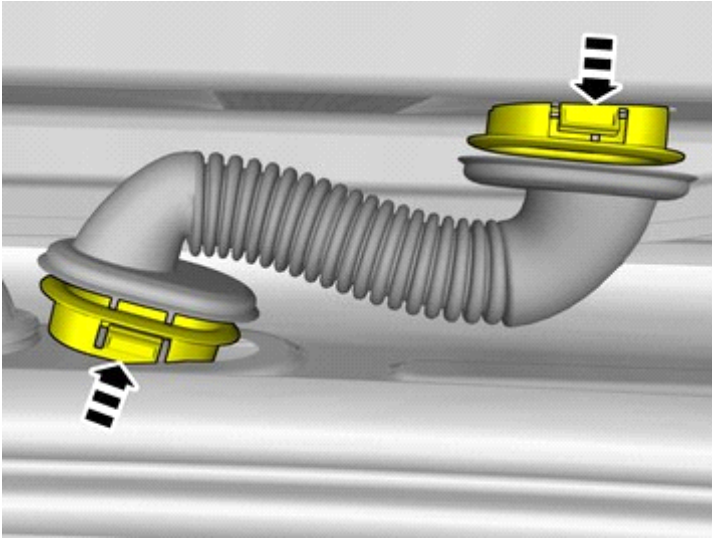
Installation



Installation instructions, accessories

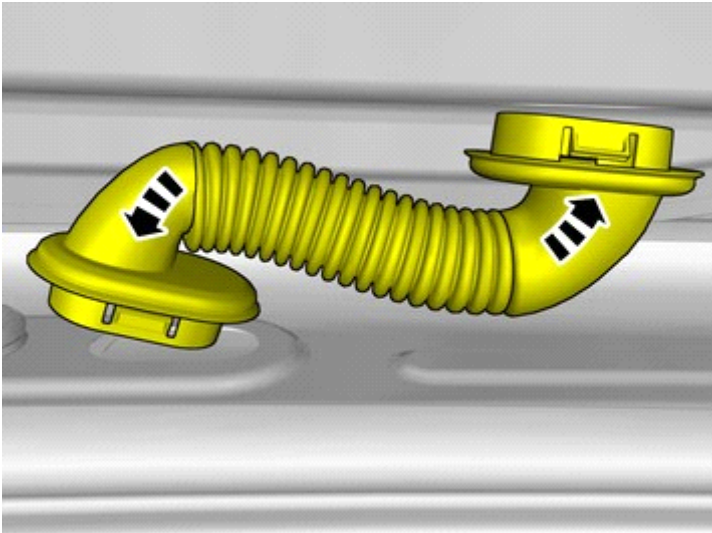
Volvo Car Corporation Gothenburg, Sweden

74



IMG-401404

75



IMG-401403

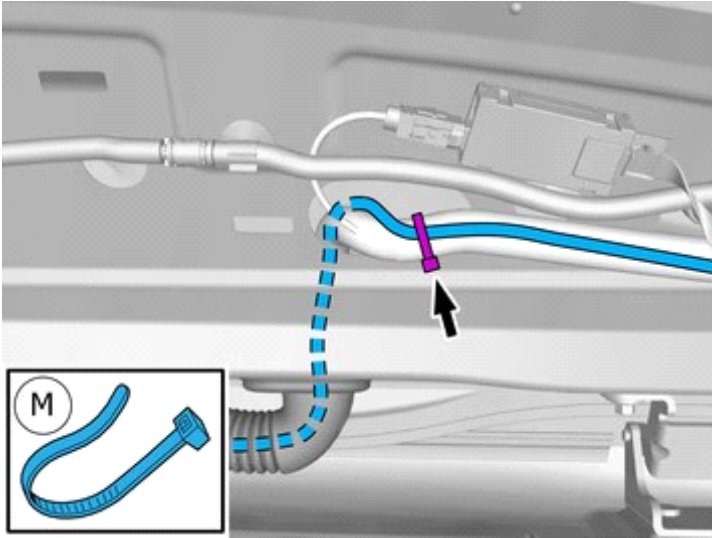
Accessory installation



Installation instructions, accessories

Volvo Car Corporation Gothenburg, Sweden

76



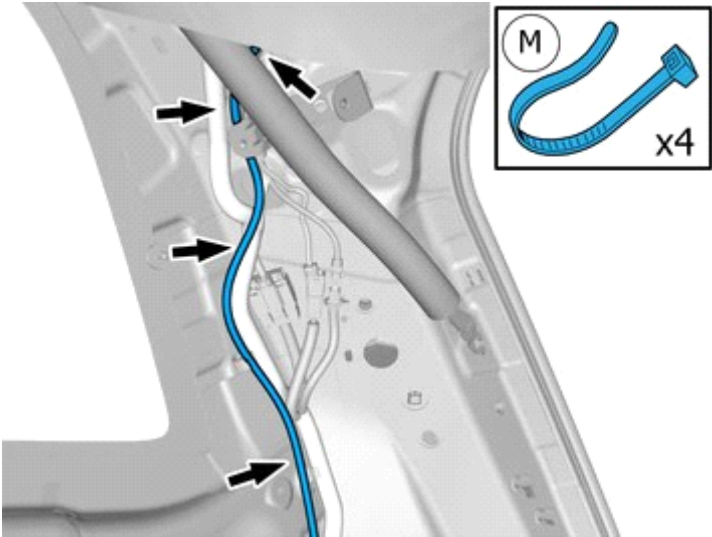
IMG-401410

Adjust the position of the wiring.

Install the cable.

Use a cable tie

77



IMG-397473

Caution!

The wire must be routed behind the inflatable curtain.

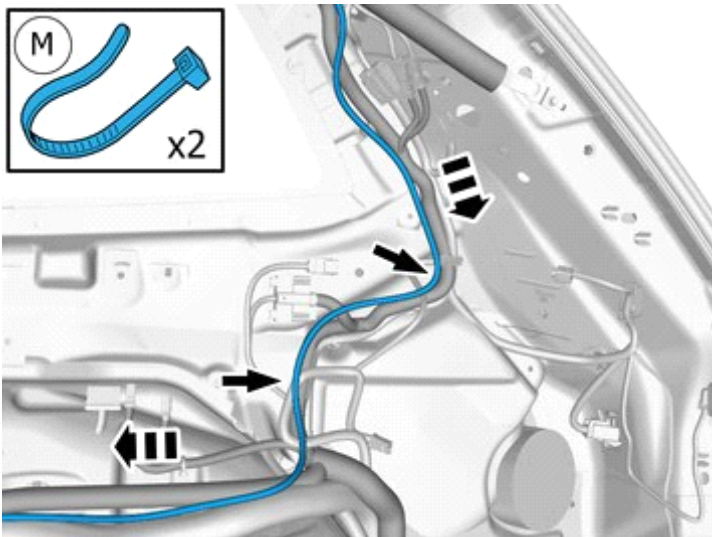
Route the wire adjacent to existing wirings.

Adjust the position of the wiring.

Install the cable.

Use a cable tie

78



IMG-388321

Route the wire adjacent to existing wirings.

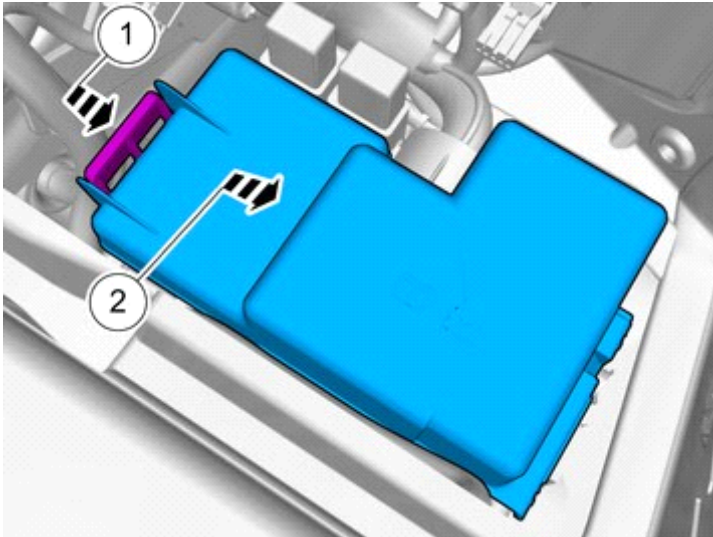
Install the cable.

Use a cable tie



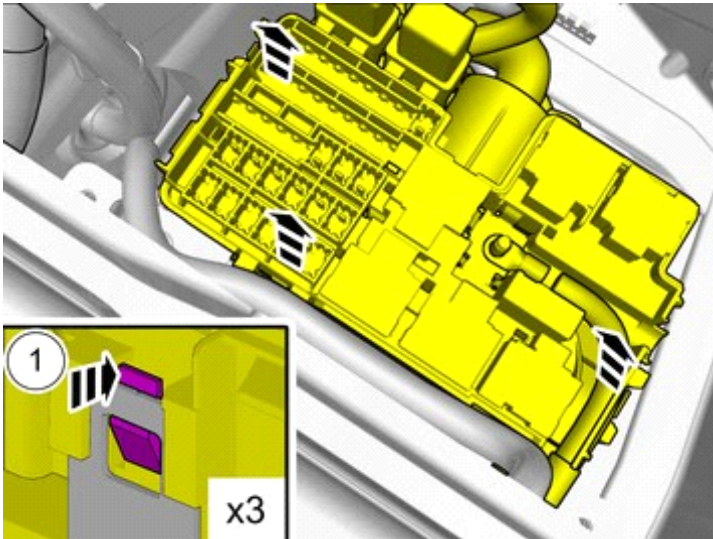
Removal

79



IMG-388358

80



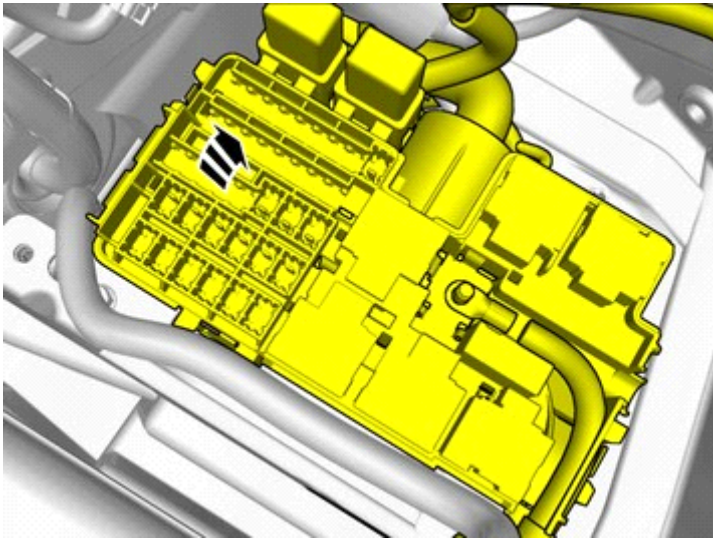
IMG-388459



Installation instructions, accessories

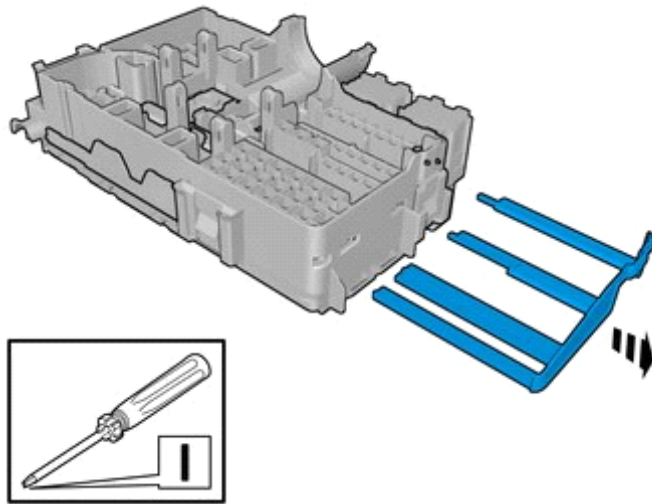
Volvo Car Corporation Gothenburg, Sweden

81



IMG-388467

82



IMG-389347

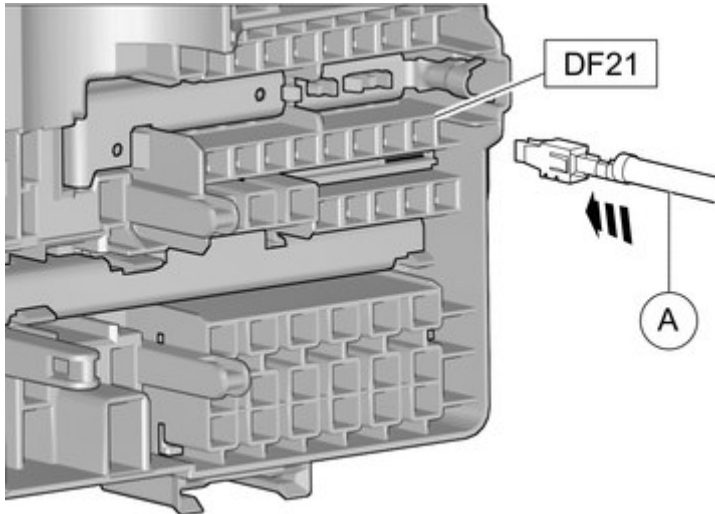
Accessory installation



Installation instructions, accessories

Volvo Car Corporation Gothenburg, Sweden

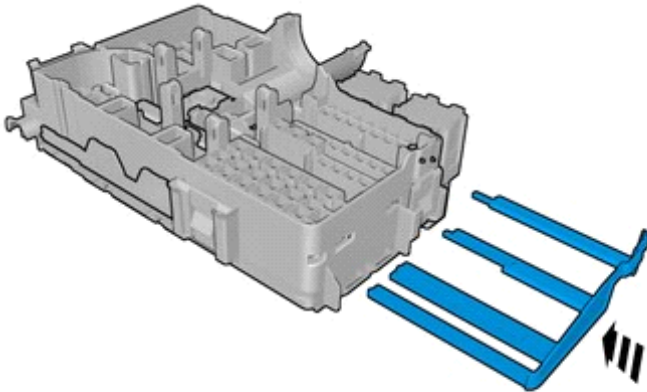
83



IMG-389346

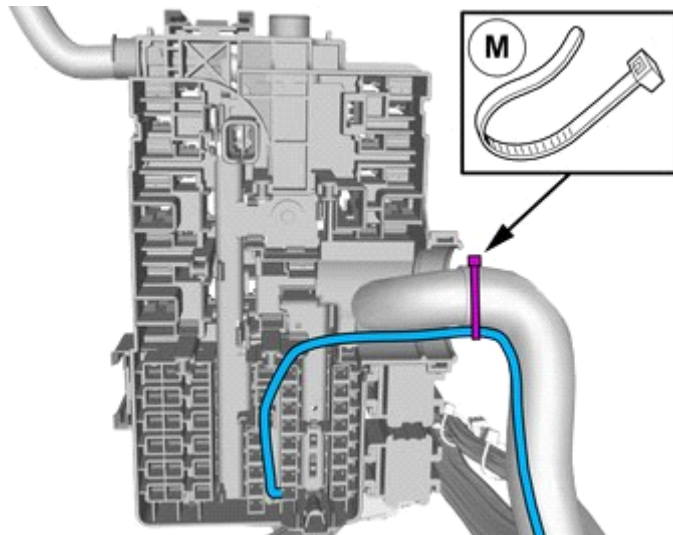
Install component that comes with the accessory kit.

84



IMG-389348

85



IMG-402750

Install the cable.

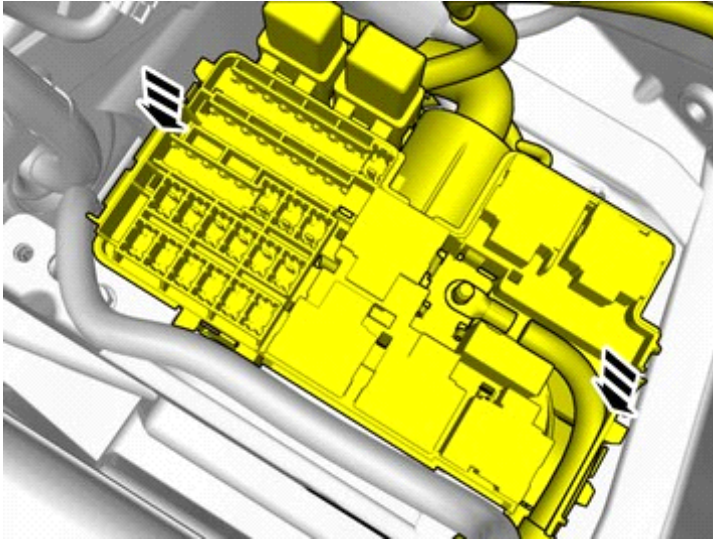
Use a cable tie



Installation instructions, accessories

Volvo Car Corporation Gothenburg, Sweden

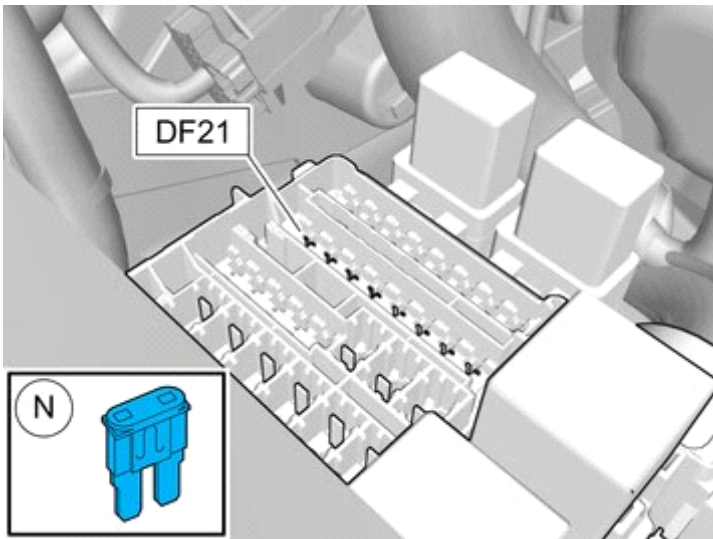
86



IMG-388468

Reinstall the removed part.

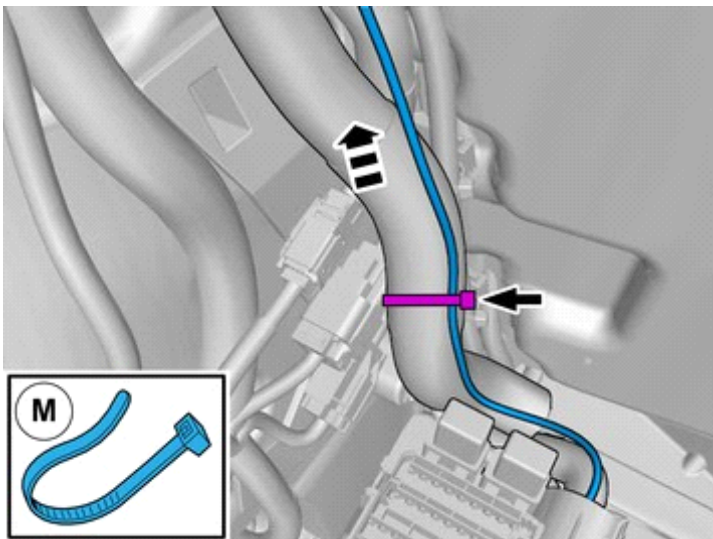
87



IMG-389973

Install component that comes with the accessory kit.

88



IMG-388480

Route the wire adjacent to existing wirings.

Install the cable.

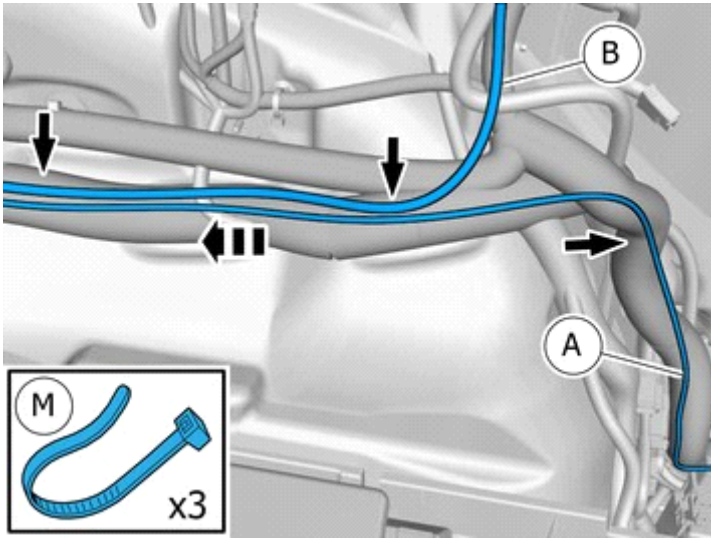
Use a cable tie



Installation instructions, accessories

Volvo Car Corporation Gothenburg, Sweden

89



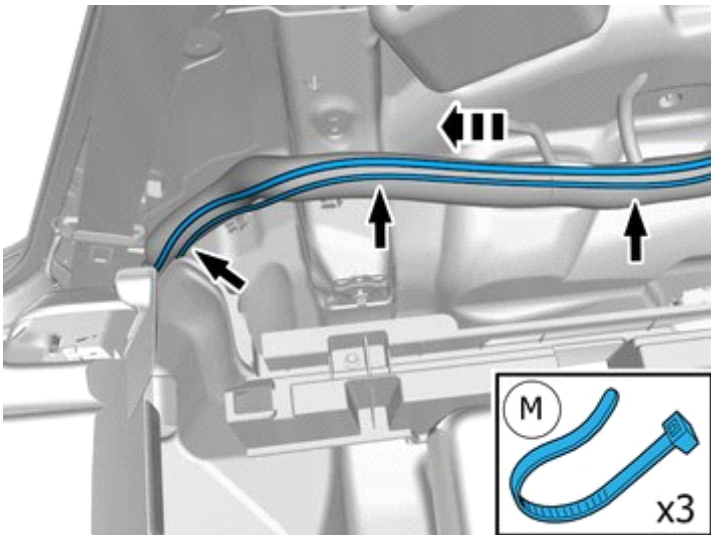
IMG-388515

Position/route the cables as illustrated.

Install the cables.

Use a cable tie

90



IMG-388539

Route the wires adjacent to existing wirings.

Install the cables.

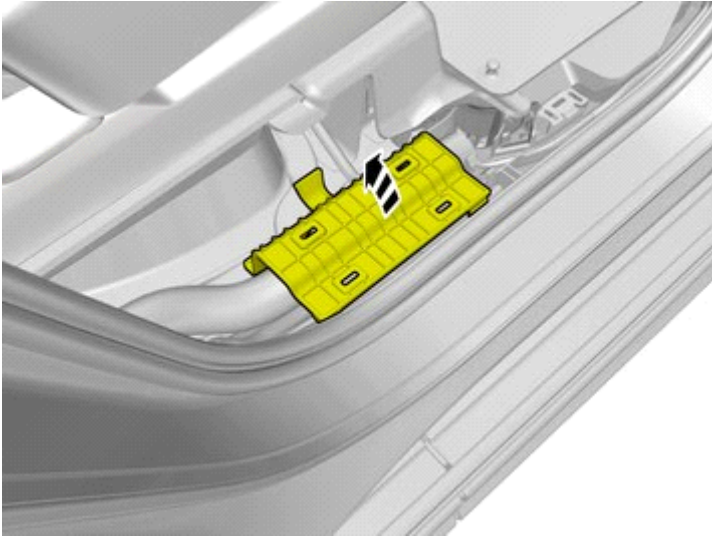
Use a cable tie



Installation instructions, accessories

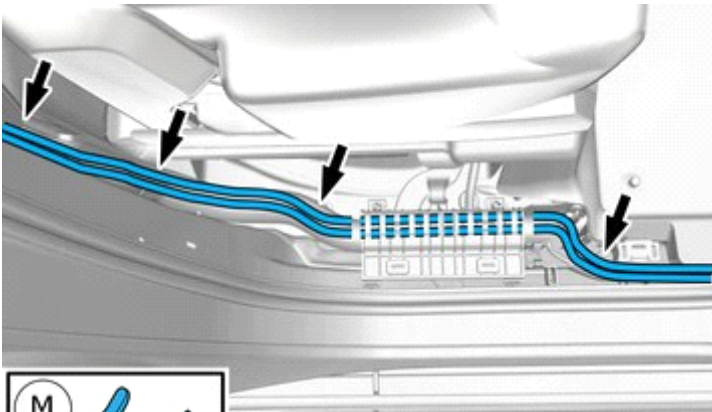
Volvo Car Corporation Gothenburg, Sweden

91



IMG-397598

92



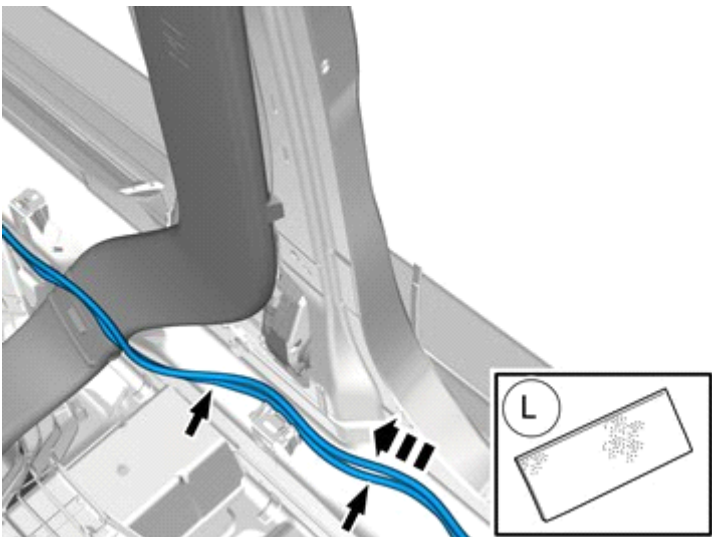
IMG-397606

Route the wires adjacent to existing wirings.

Install the cables.

Use a cable tie

93



IMG-421780

Position/route the cables as illustrated.

Install the cables.

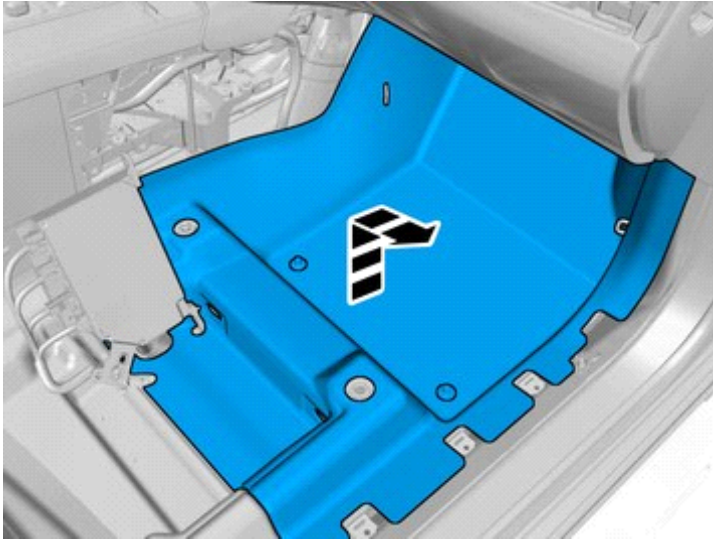
Use tape



Installation instructions, accessories

Volvo Car Corporation Gothenburg, Sweden

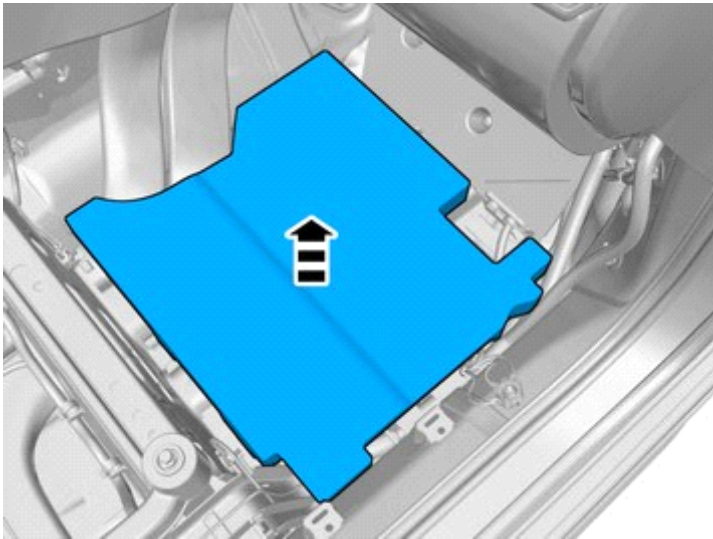
94



IMG-397637

Remove the marked part.

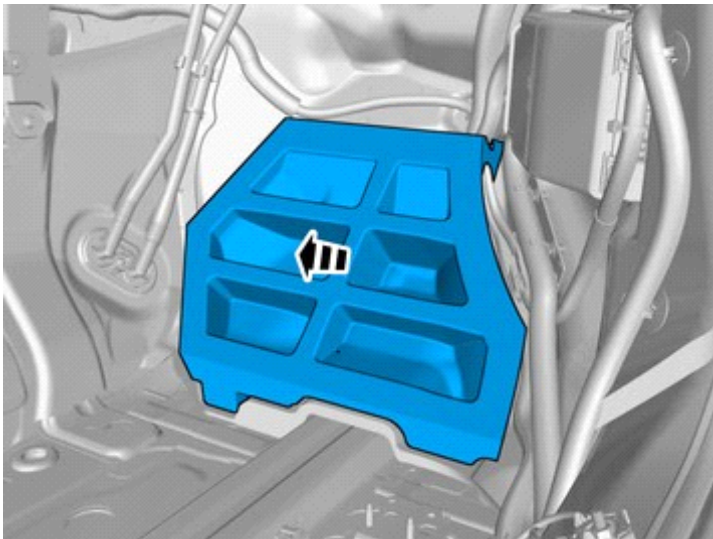
95



IMG-388605

Remove the marked part.

96



IMG-389889

Remove the marked part.

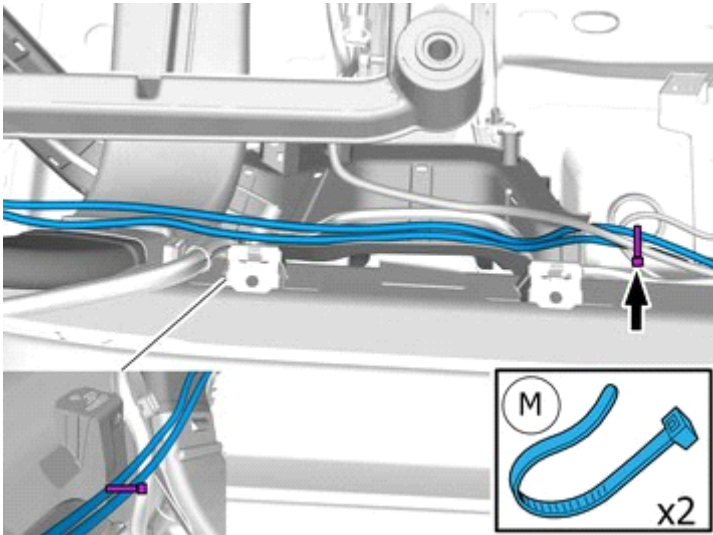
The part is not to be reused.



Installation instructions, accessories

Volvo Car Corporation Gothenburg, Sweden

97

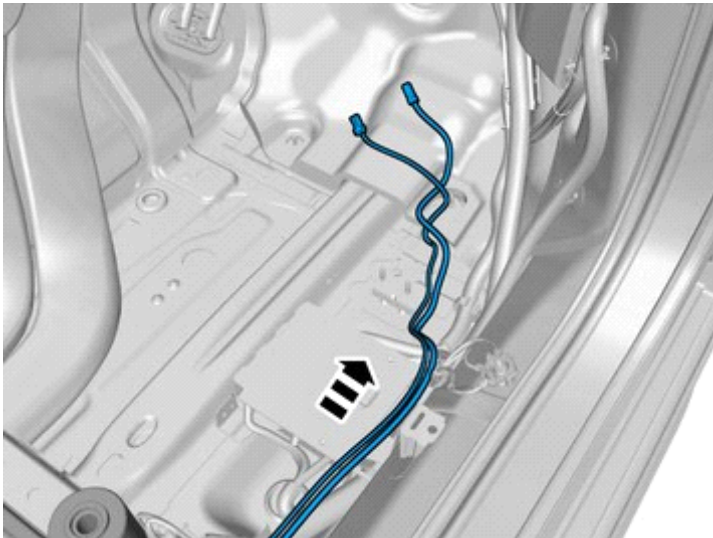


IMG-422864

Route the wires adjacent to existing wirings.

Use a cable tie

98



IMG-397656

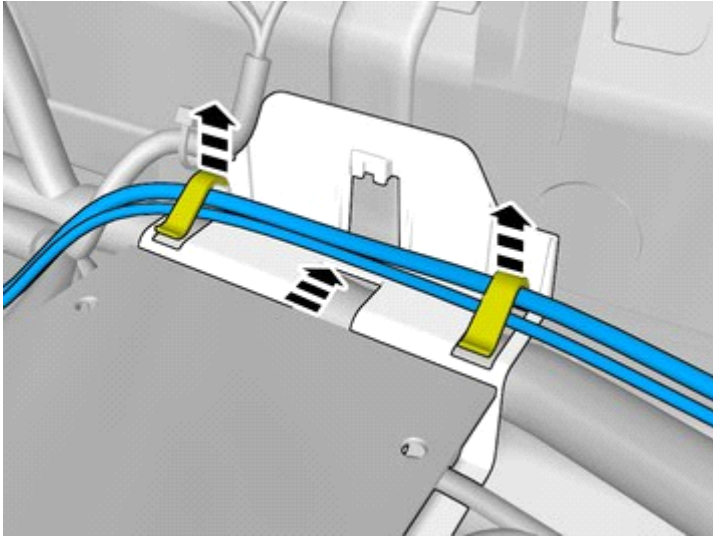
Position/route the cables as illustrated.



Installation instructions, accessories

Volvo Car Corporation Gothenburg, Sweden

99

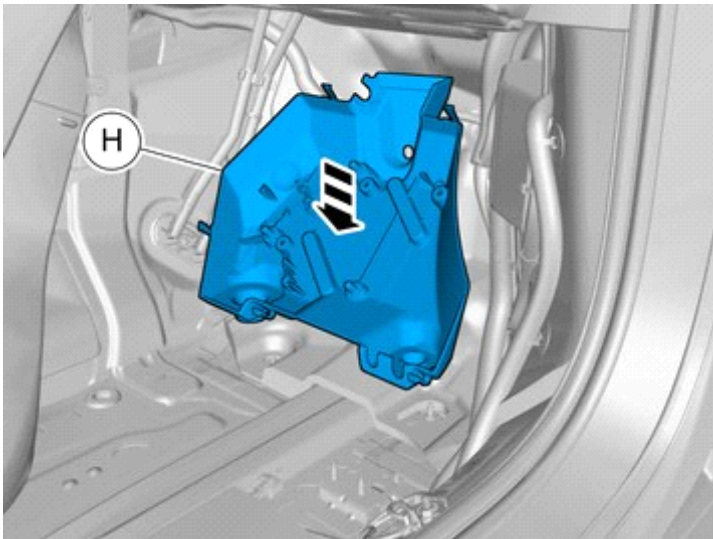


IMG-397905

Position/route the cable harness as illustrated.

Position/route the cables as illustrated.

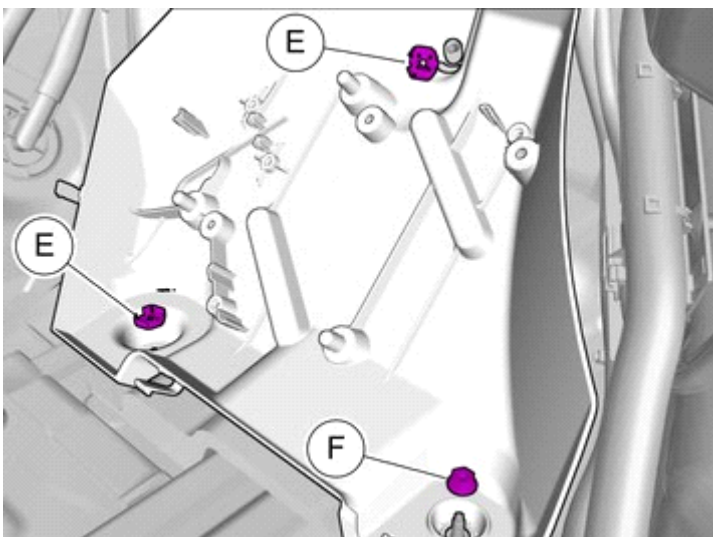
100



IMG-389729

Install component that comes with the accessory kit.

101



IMG-389723

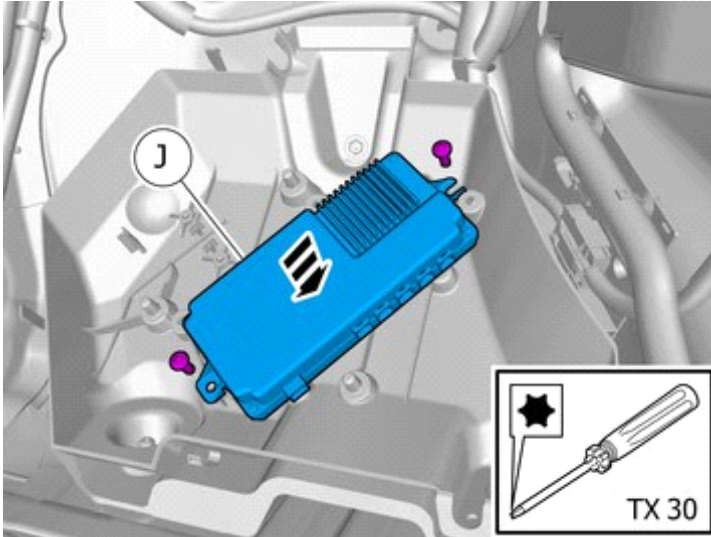
Tighten the nuts.



Installation instructions, accessories

Volvo Car Corporation Gothenburg, Sweden

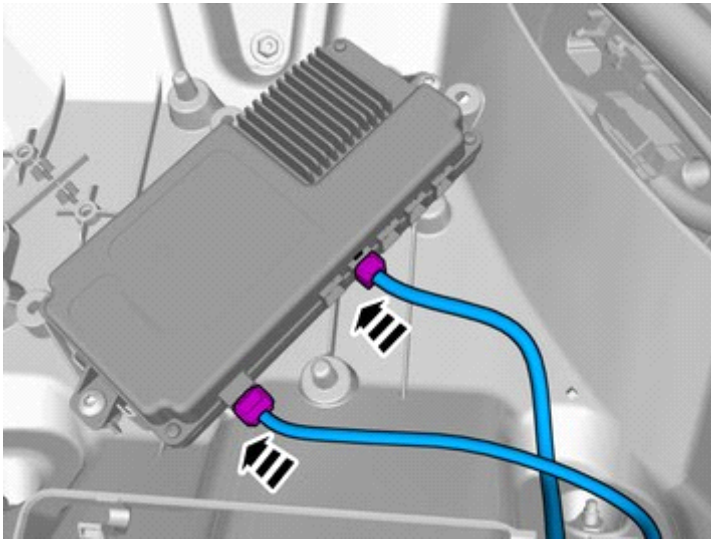
102



IMG-388615

Install component that comes with the accessory kit.

103



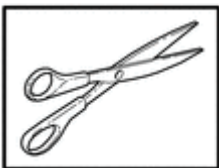
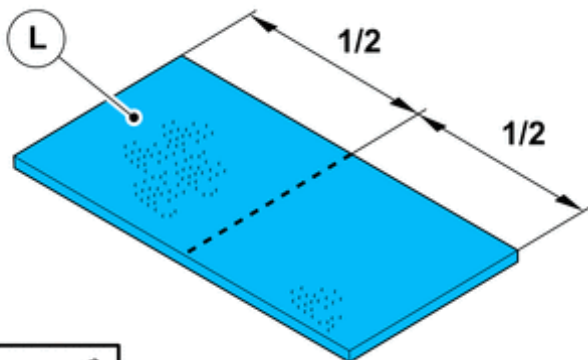
IMG-388623

Note!

Extra cable length must be secured using cable ties outside the box.

Connect the prerouted cables.

104



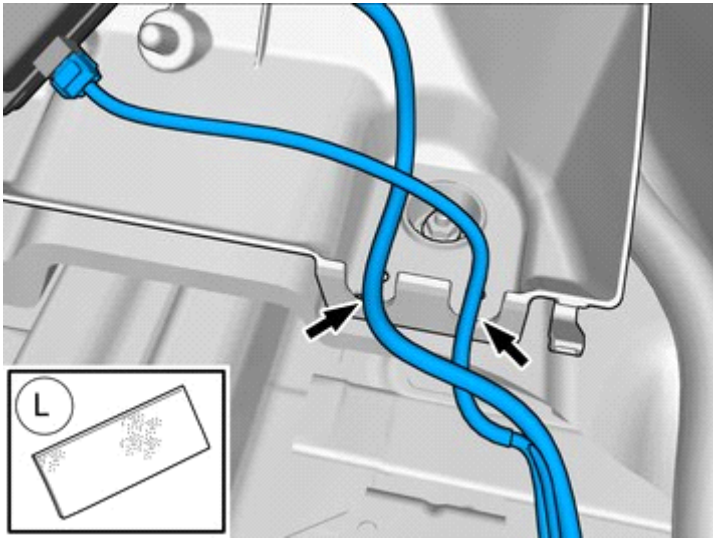
IMG-401401



Installation instructions, accessories

Volvo Car Corporation Gothenburg, Sweden

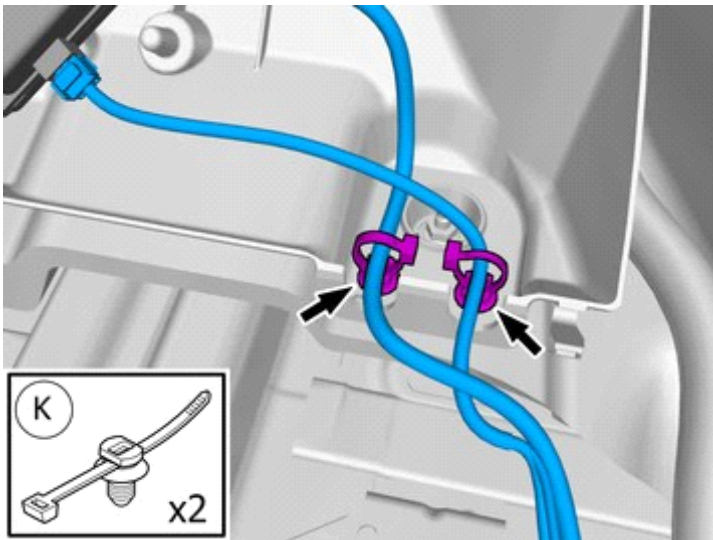
105



IMG-397659

Wrap tape around the cable to increase the diameter.

106



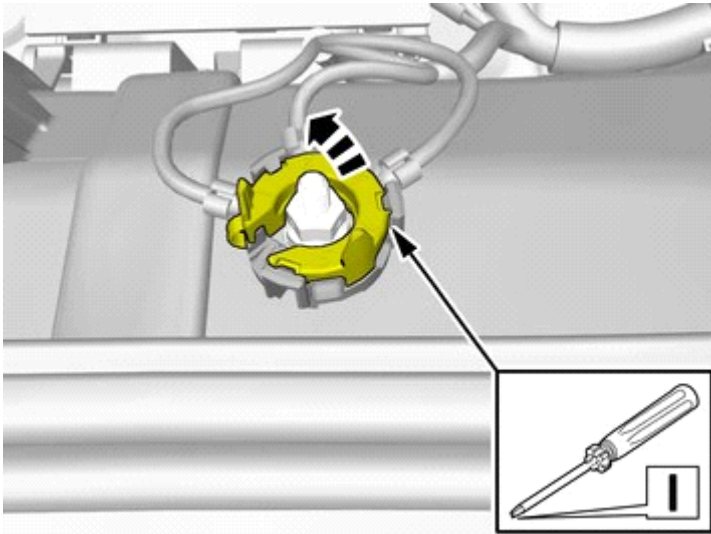
IMG-389950



Installation instructions, accessories

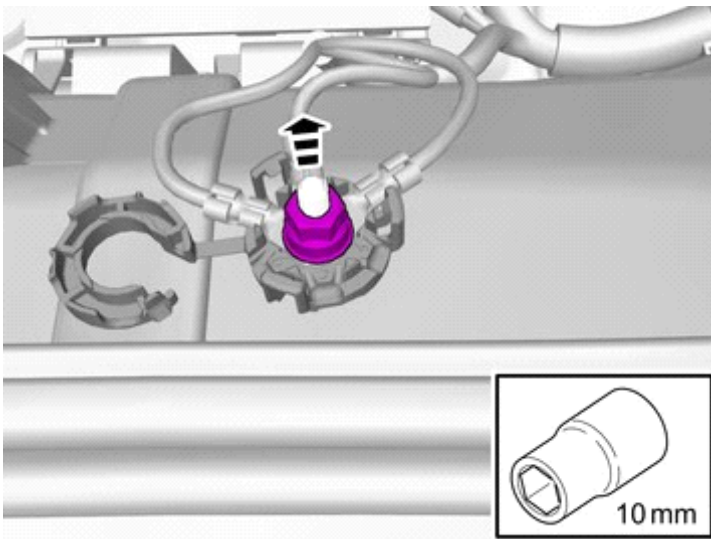
Volvo Car Corporation Gothenburg, Sweden

107



IMG-388631

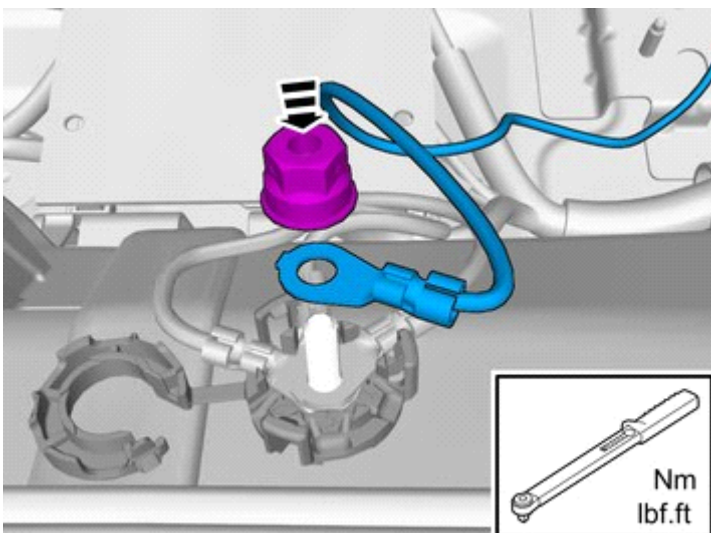
108



IMG-388638

Remove the nut.

109



IMG-388639

Connect the prerouted cable.

Install the nut.

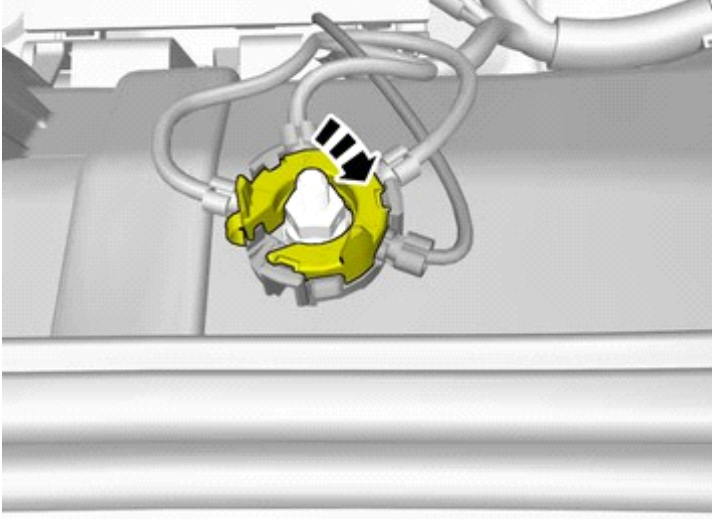
Tightening torque: M6 , 10 Nm



Installation instructions, accessories

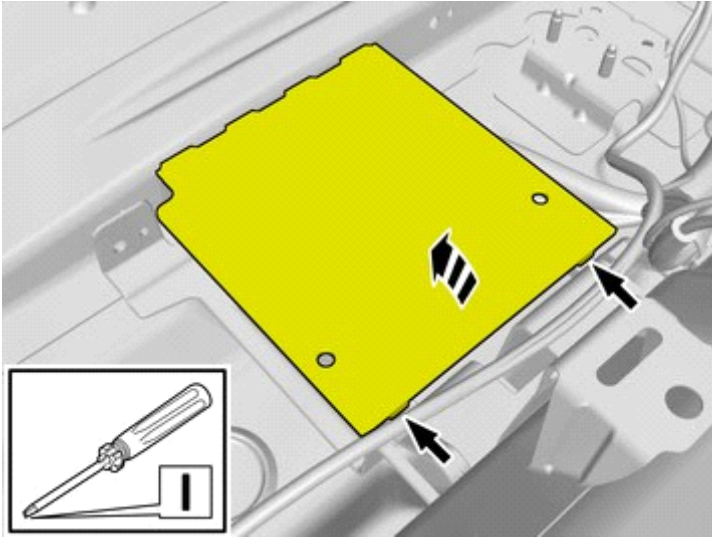
Volvo Car Corporation Gothenburg, Sweden

110



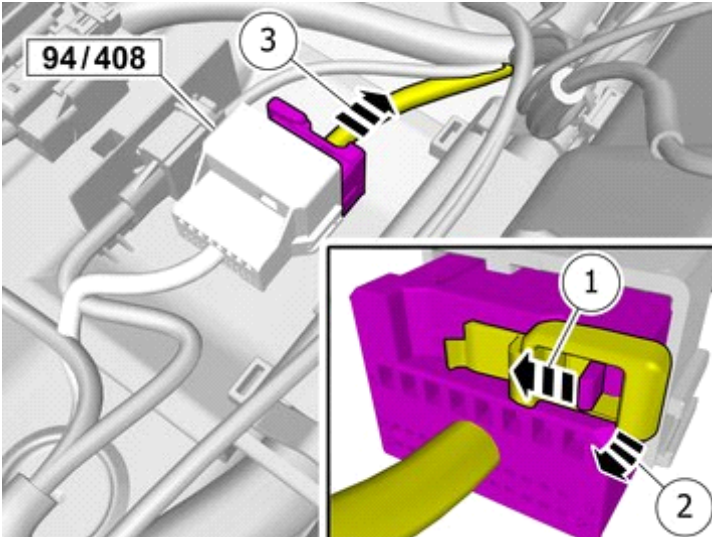
IMG-388633

111



IMG-388644

112



IMG-397673

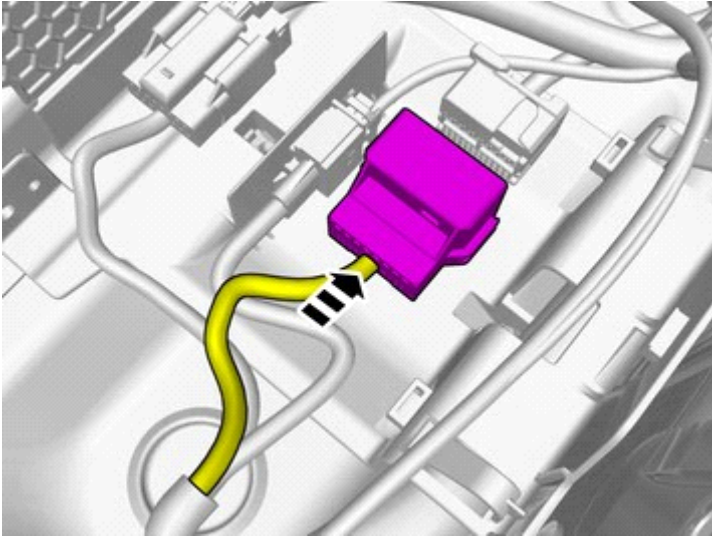
- Release the connector's catch.
- Release the lock.
- Disconnect the connector.



Installation instructions, accessories

Volvo Car Corporation Gothenburg, Sweden

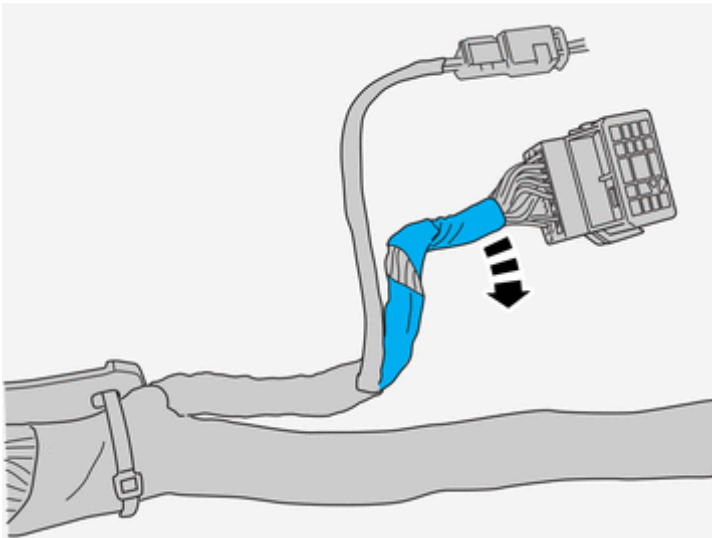
113



IMG-397791

Remove the connector from its attachment.

114



IMG-398762

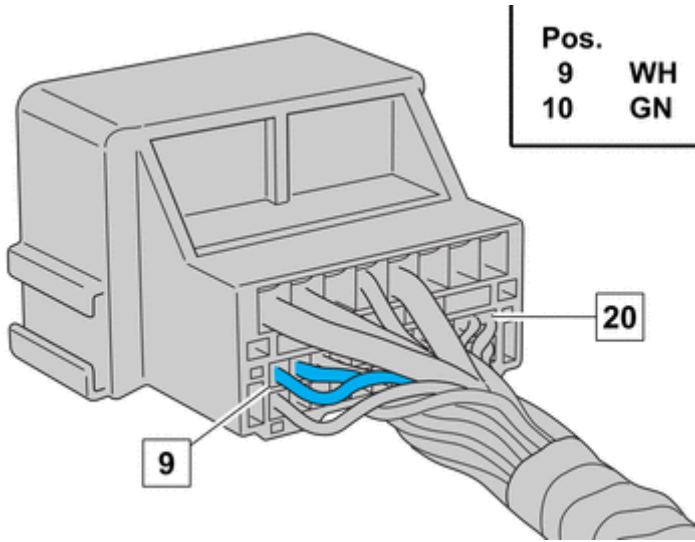
Remove the tape.



Installation instructions, accessories

Volvo Car Corporation Gothenburg, Sweden

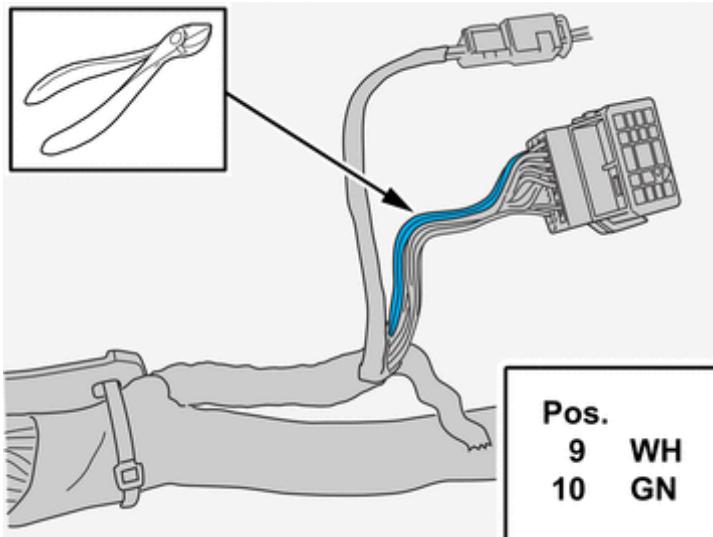
115



Note!
Orientation view

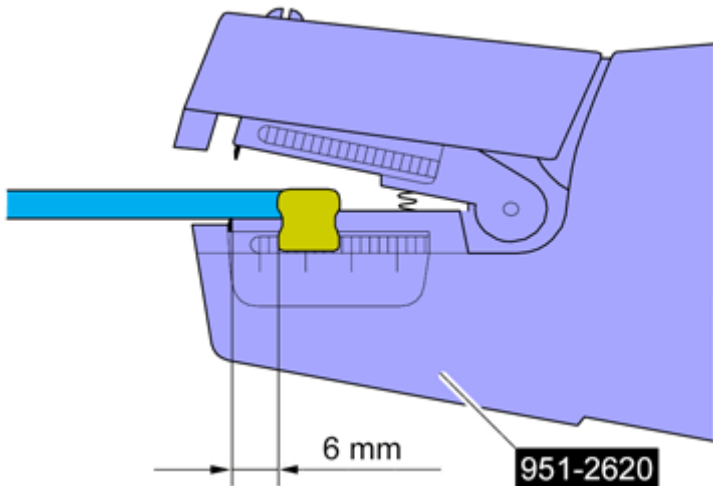
IMG-397975

116



IMG-398759

117



Use special tool: T9512620, Stripping tool (for wiring)

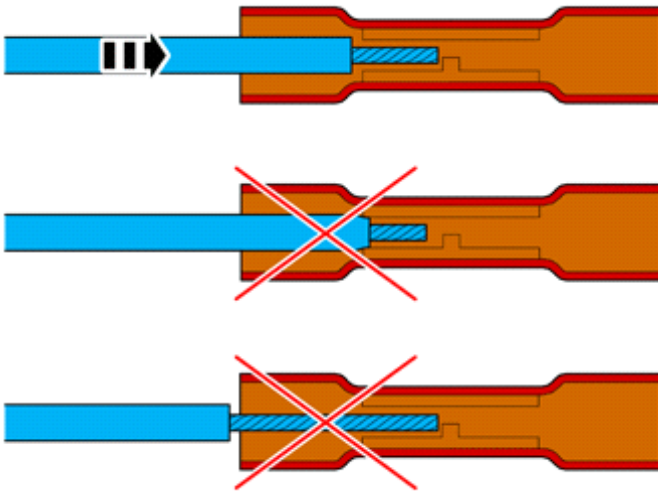
IMG-374930



Installation instructions, accessories

Volvo Car Corporation Gothenburg, Sweden

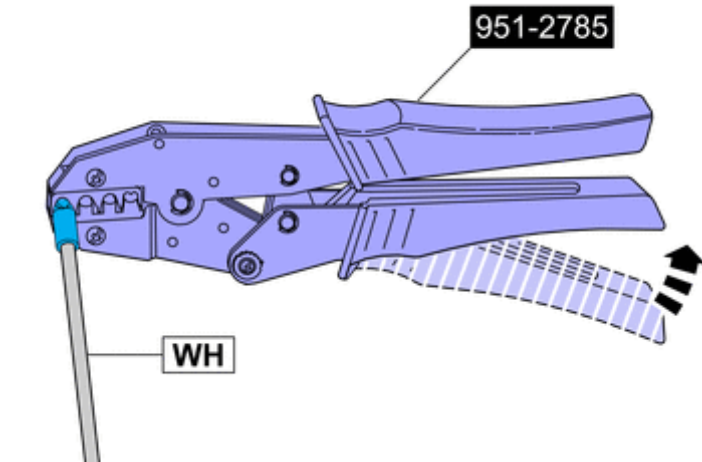
118



IMG-374928

119

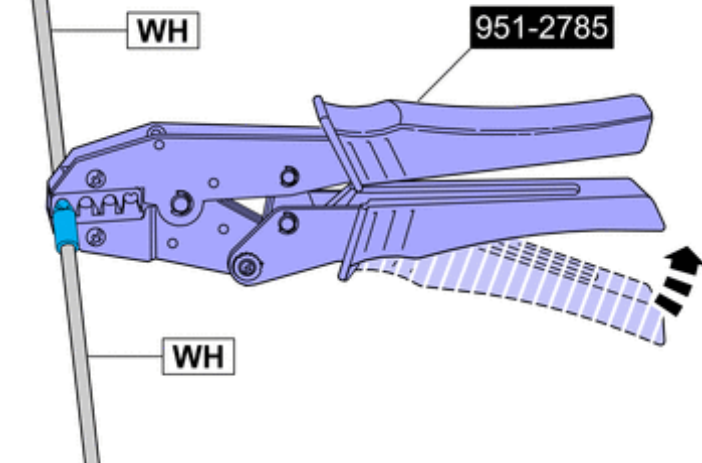
Use special tool: T9512785, Crimping tool (included in 9512669)



IMG-398784

120

Use special tool: T9512785, Crimping tool (included in 9512669)



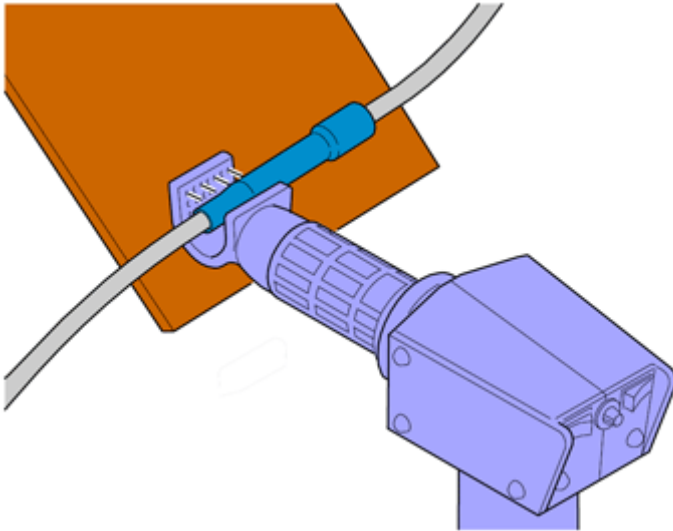
IMG-398782



Installation instructions, accessories

Volvo Car Corporation Gothenburg, Sweden

121



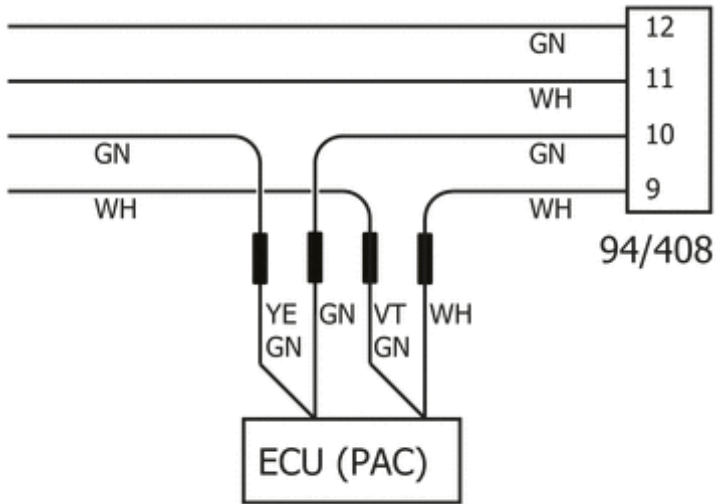
IMG-326808

Caution!

Make sure that the surrounding components are protected from heat.

Use special tool: T9512777, Hot-air gun

122



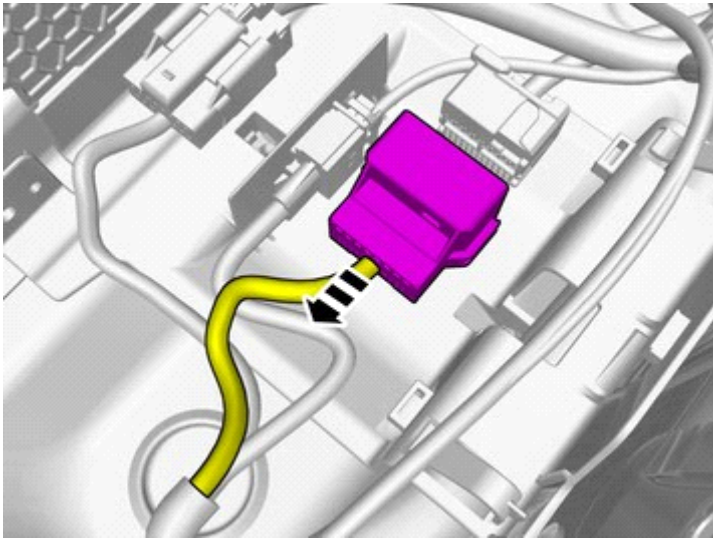
IMG-397870



Installation instructions, accessories

Volvo Car Corporation Gothenburg, Sweden

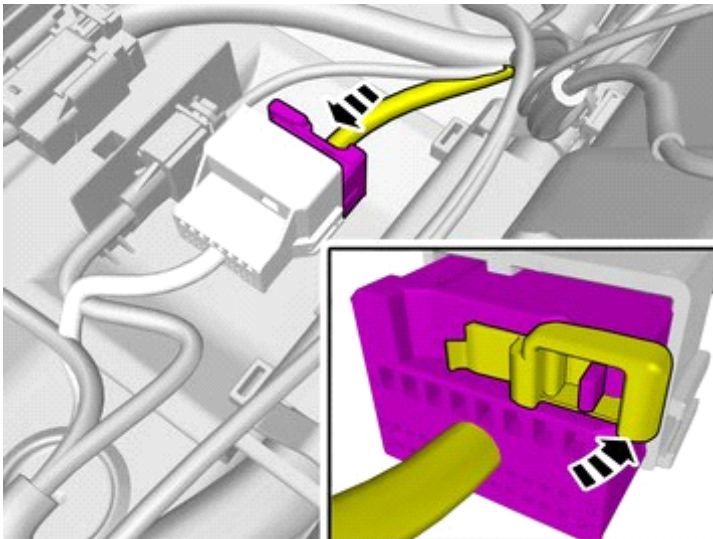
123



IMG-397680

Install the connector to its attachment.

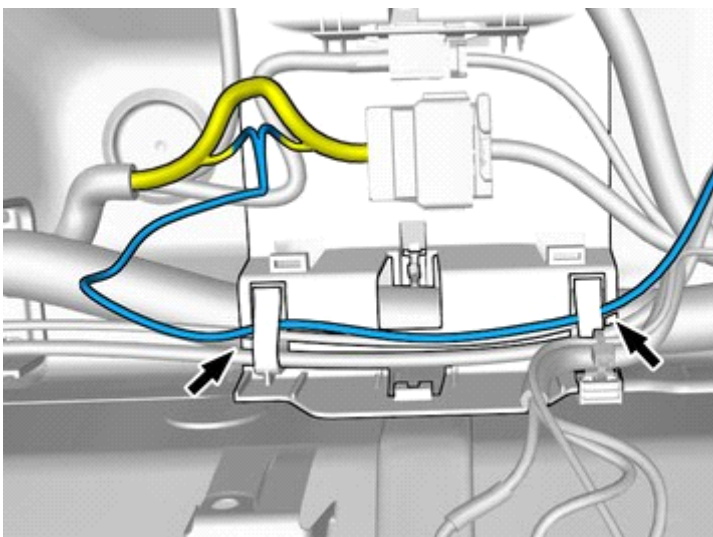
124



IMG-397792

Connect the connector.

125



IMG-397935

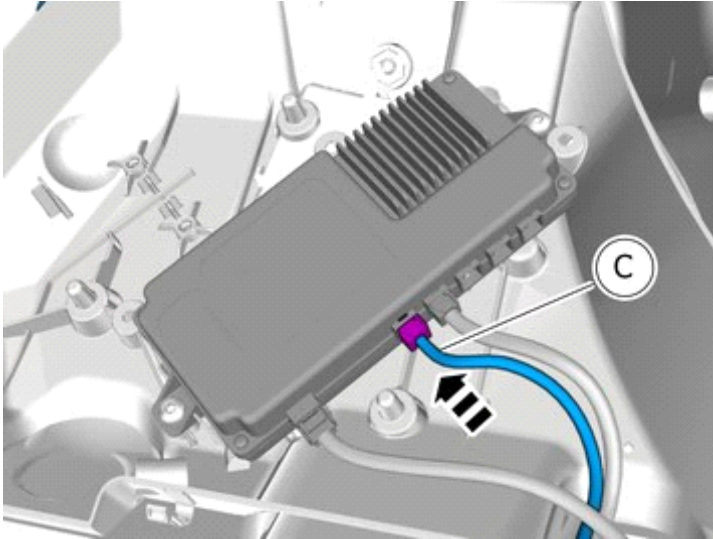
Position/route the cable as illustrated.



Installation instructions, accessories

Volvo Car Corporation Gothenburg, Sweden

126

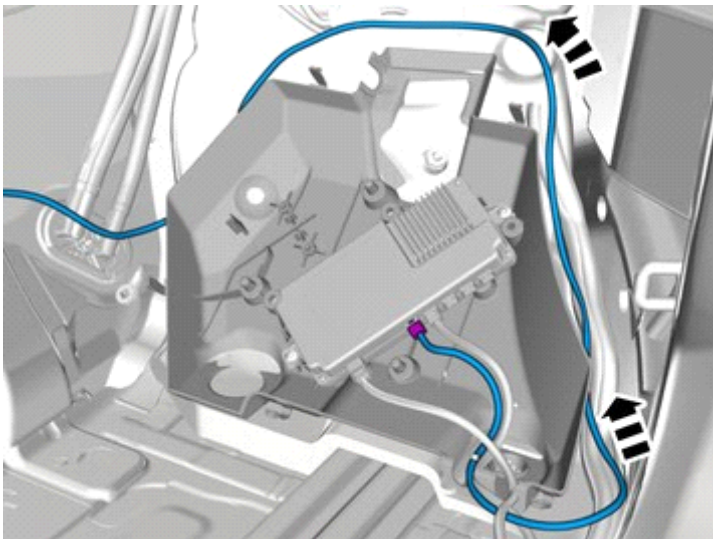


IMG-421899

Install component that comes with the accessory kit.

Connect the cable.

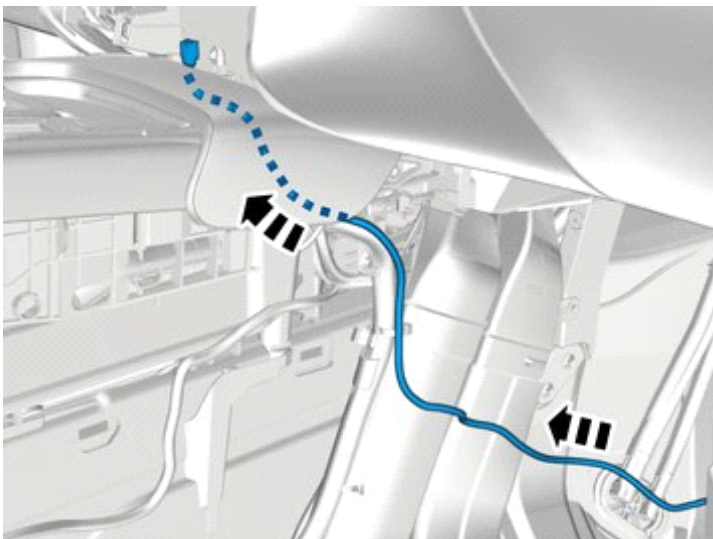
127



IMG-421970

Position/route the cable as illustrated.

128



IMG-421876

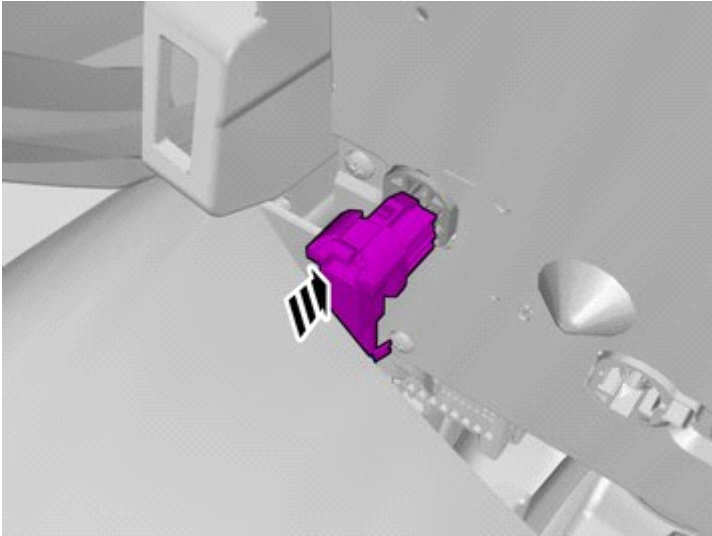
Position/route the cable as illustrated.



Installation instructions, accessories

Volvo Car Corporation Gothenburg, Sweden

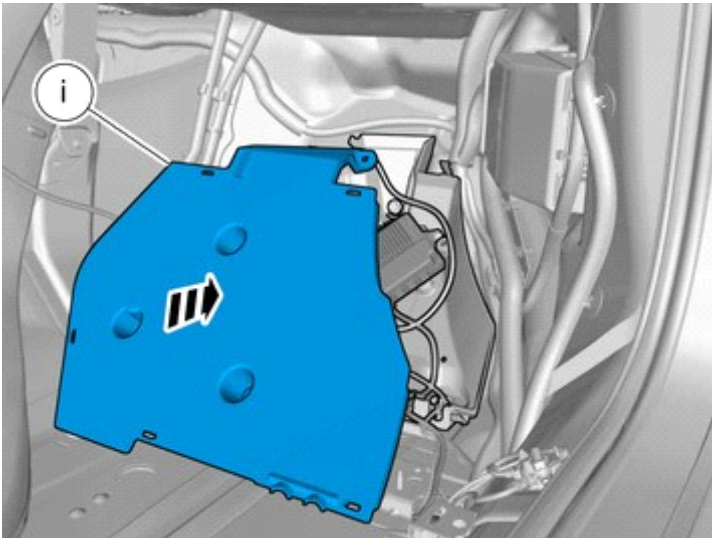
129



IMG-389268

Connect the prerouted cable.

130



IMG-389742

Install component that comes with the accessory kit.

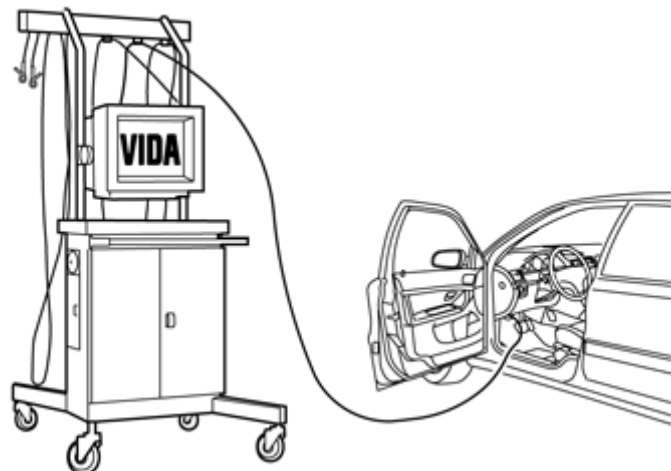


Installation instructions, accessories

Volvo Car Corporation Gothenburg, Sweden

131

Order and download software according to: 31373639



IMG-242268

Installation

132

Reinstall the removed parts in reverse order.
